

**SCOPE OF WORK**

**SWIMMING POOL**  
Drain Pool.

Remove and replace existing pool main drain covers with approved Aquastar 10" VGB Covers. Main drains already split 36" apart.

Split Skimmer Equalizer Line 36" apart and install approved Aquastar 8" VGB Covers.

Remove and Replace existing shallow end entry rail with 3-Bend deck-to-step. Minimum 28" tall from deck.

Refill pool.

**SPA**  
Drain Spa.

Remove and replace existing pool main drain and jet suction covers with approved Aquastar 10" VGB Covers. Main drains already split 36" apart.

Split Skimmer Equalizer Line 36" apart and install approved Aquastar 8" VGB Covers.

Remove and Replace existing shallow end entry rail with 3-Bend deck-to-step. Minimum 28" tall from deck.

Refill Spa.

*Bonding work to require HCB permit & possibly structural permit*

**EQUIPMENT LIST**

- POOL**  
PUMP - 1.5hp
- SPA**  
PUMP - 1hp
- BOOSTER PUMP - 1hp

**POOL SPECIFICATIONS**

Surface Area - 800 sq ft  
Perimeter - 119 ft  
Volume - 28,500 gal  
Turnover rate @ 6 hrs = 80 gpm

**SPA SPECIFICATIONS**

Surface Area - 113 sq ft  
Perimeter - 38 ft  
Volume - 2200 gal  
Turnover rate @ 30 min = 74 gpm

*5-15-07  
Scope of work OK'd  
Waiting for call for inspection.  
for Starman*

**Skimmer Equalizer Cover Being Installed**

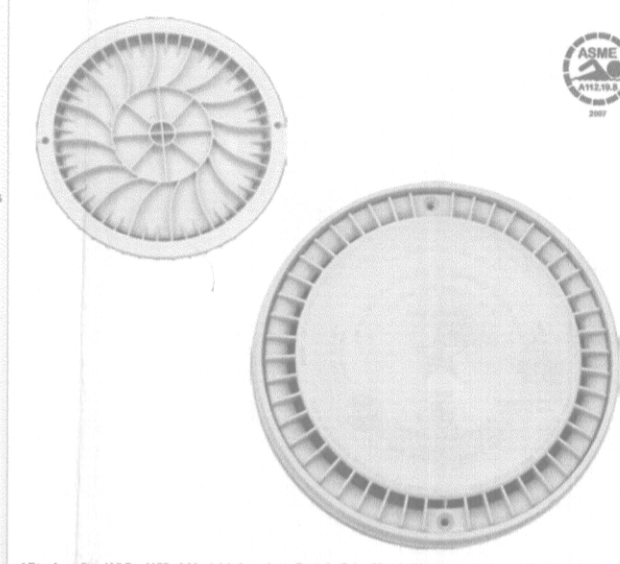


**8" Low Profile Anti-Entrapment Suction Outlet Cover and Frame**

**VGB Series**  
Product Specification Sheet

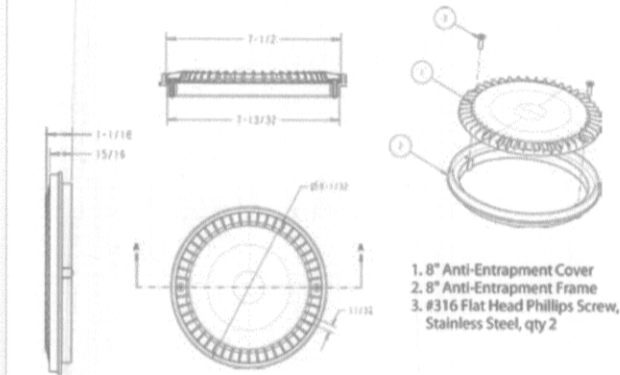
**Features**  
For Single or Multiple Drain Use (See Installation Instructions)  
Single:  
Floor: 100 GPM at 4.2 fpi / Wall: 70 GPM at 2.9 fpi  
Dual:  
Floor: 100 GPM at 2.1 fpi / Wall: 70 GPM at 1.5 fpi  
Triple System:  
Floor: 200 GPM at 2.8 fpi / Wall: 140 GPM at 1.9 fpi  
Floor: 100 GPM at 1.5 fpi  
7.7 sq. in. Opening  
#316 Stainless Steel Screws  
Super Strong UV Resistant ABS/ASA Material  
Easily and Safely Fits to Most Brands' Existing Frames and Sumps That Model # LP8AVGB Does Not Already Fit\* (See Cross-Reference Chart and Installation Instructions for Details)  
Patent Pending Flow-Max® Technology  
Super Low-Profile Eliminates Cleaner Hang-Ups  
Meets or Exceeds ASME/ANSI A112.19.8-2007 National Standards and ASTM G154 UV Testing  
Listed with IAPMO RST  
50 Per Case

The AquaStar line of suction outlet covers compliant with the new Virginia Graeme-Baker Pool and Spa Safety Act (ASME/ANSI A112.19.8-2007)



**Part Numbers / Colors**

- LP8AVGB101 White
- LP8AVGB102 Black
- LP8AVGB103 Lt. Gray
- LP8AVGB104 Blue
- LP8AVGB105 Dk. Gray
- LP8AVGB106 Bone
- LP8AVGB107 Taupe
- LP8AVGB108 Tan



P 877-768-2717 F 877-276-POOL info@aquastarpoolproducts.com www.aquastarpoolproducts.com ★★ PROUDLY MADE IN THE USA

**Main Drain Cover Being Installed**

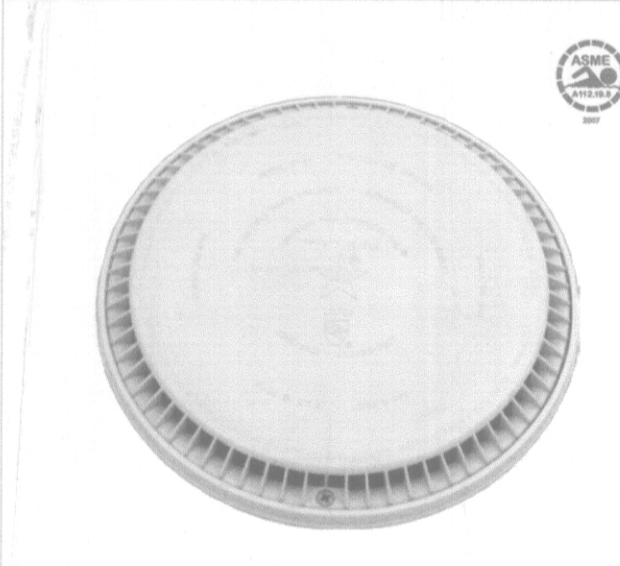


**10" Anti-Entrapment Suction Outlet Cover and Frame**

**VGB Series**  
Product Specification Sheet

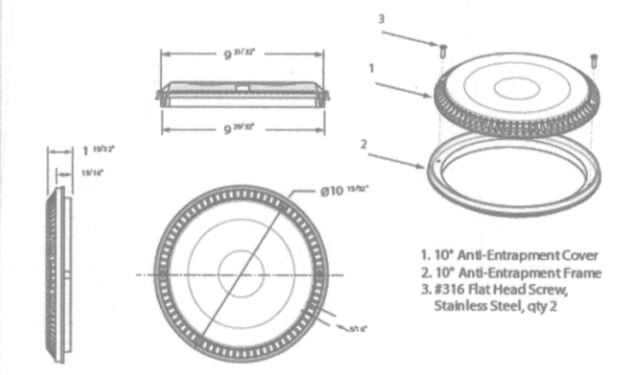
**Features**  
For Single or Multiple Drain Use (See Installation Instructions)  
Single:  
Floor: 200 GPM at 5.8 fpi  
Wall: 96 GPM at 2.8 fpi  
Dual:  
Floor: 200 GPM at 2.9 fpi  
Wall: 96 GPM at 1.4 fpi  
Triple System:  
Floor: 412 GPM at 3.9 fpi  
Wall: 288 GPM at 2.7 fpi  
Floor: 157 GPM at 1.5 fpi  
11.2 sq. in. Opening  
#316 Stainless Steel Screws  
Manufactured from Super Strong UV Resistant ABS/ASA Material  
Meets or Exceeds ASME/ANSI A112.19.8-2007 National Standards and ASTM G154 UV Testing  
Listed with IAPMO RST  
50 Per Case

The AquaStar line of suction outlet covers compliant with the new Virginia Graeme-Baker Pool and Spa Safety Act (ASME/ANSI A112.19.8-2007)



**Part Numbers / Colors**

- 10AV101 White
- 10AV102 Black
- 10AV103 Lt. Gray
- 10AV104 Blue
- 10AV105 Dk. Gray
- 10AV106 Bone
- 10AV107 Taupe
- 10AV108 Tan



P 877-768-2717 F 877-276-POOL info@aquastarpoolproducts.com www.aquastarpoolproducts.com ★★ PROUDLY MADE IN THE USA

DWG. I.D.  
MAIN PLAN  
DRAWN BY  
KM

REPLASTER AND MAIN DRAIN SPLIT FOR:

Arbor Mobile Home Park  
19690 North Hwy 99  
Acampo, CA

*POOL PRO 360 004*

**BURKETT'S**  
POOL PLASTERING INC.

(209)599-3317  
600 N. Frontage Rd  
Ripon, CA  
© 2008 Burkett's Pool Plastering, Inc.  
LIC# 608182