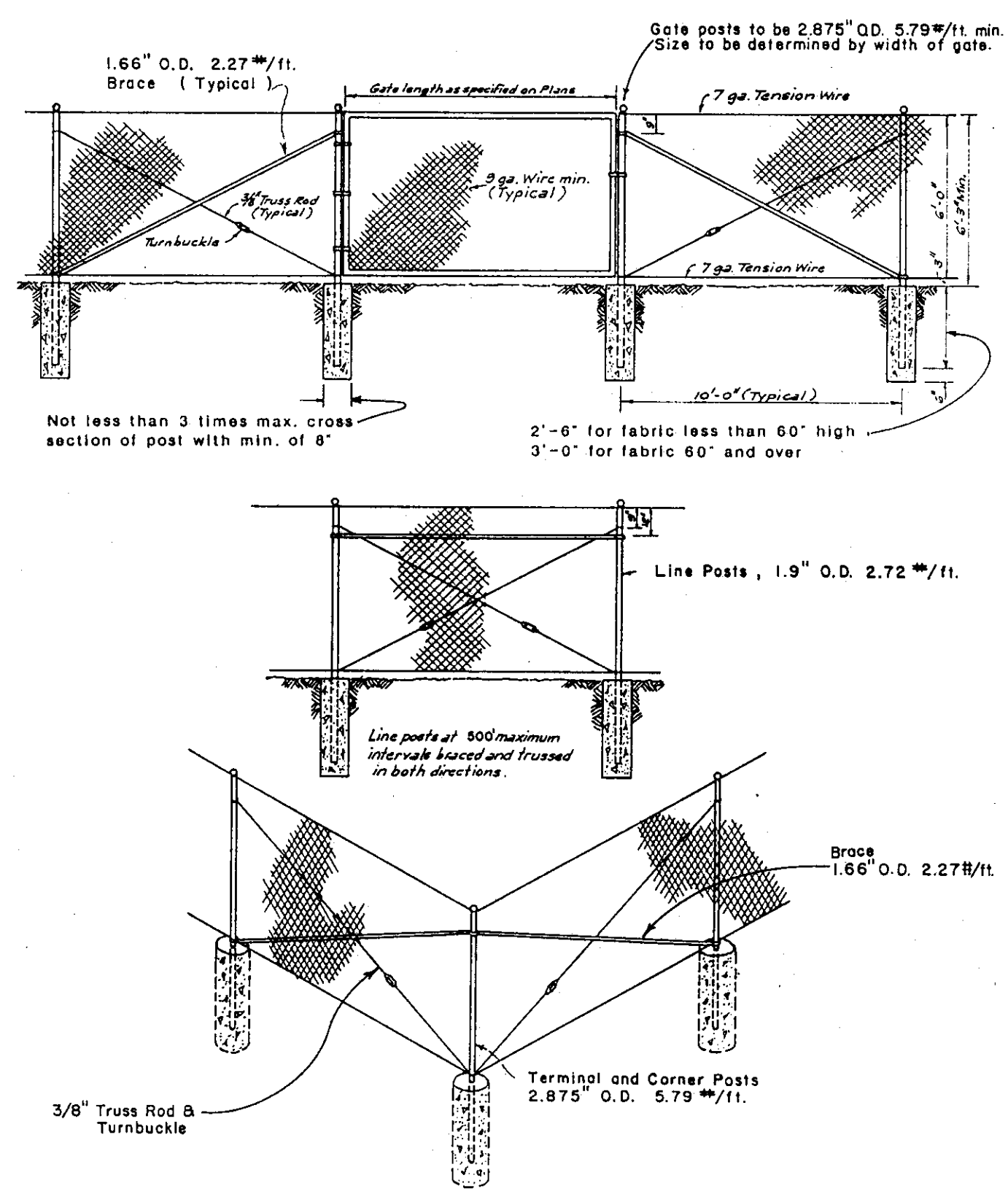
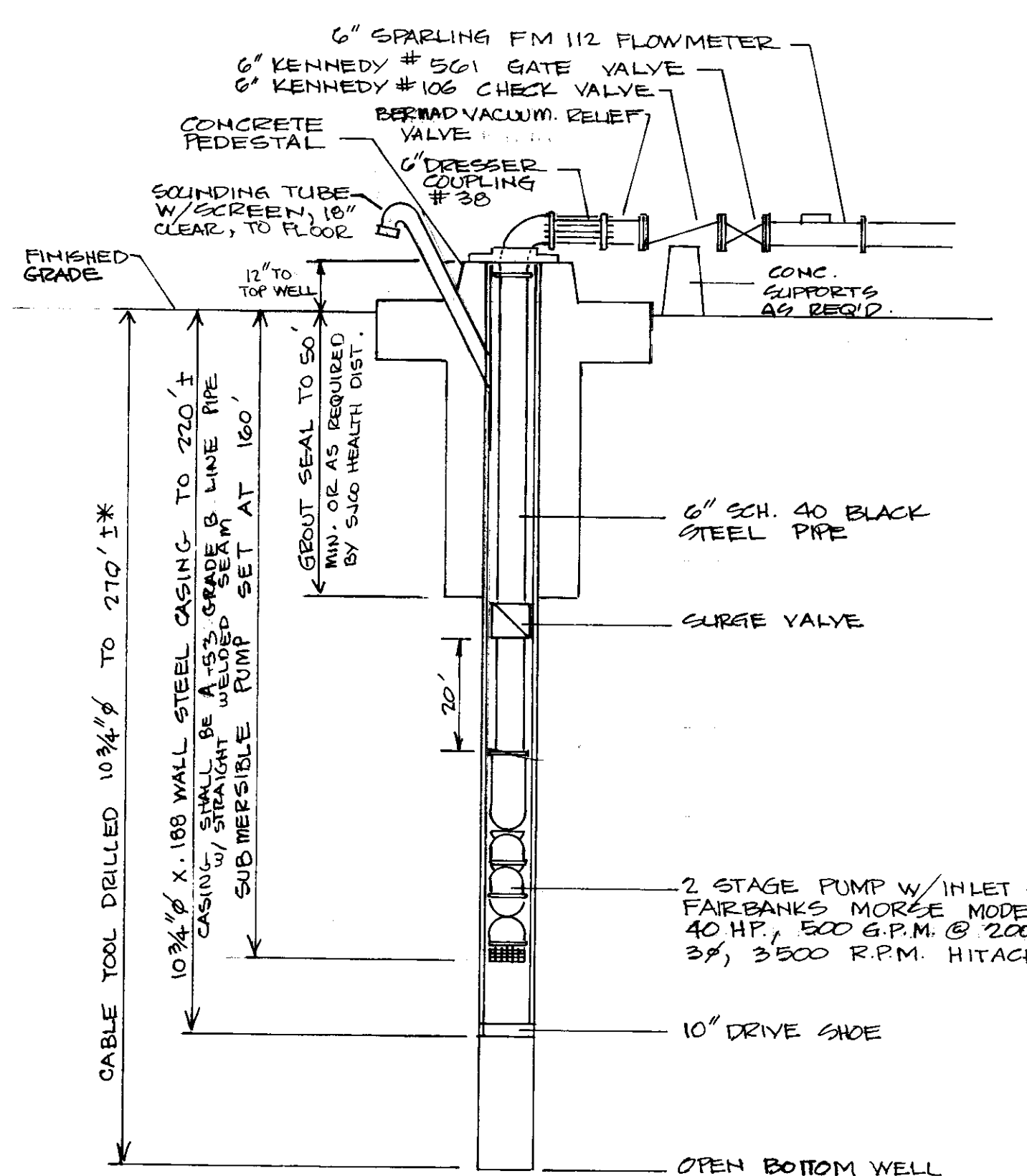
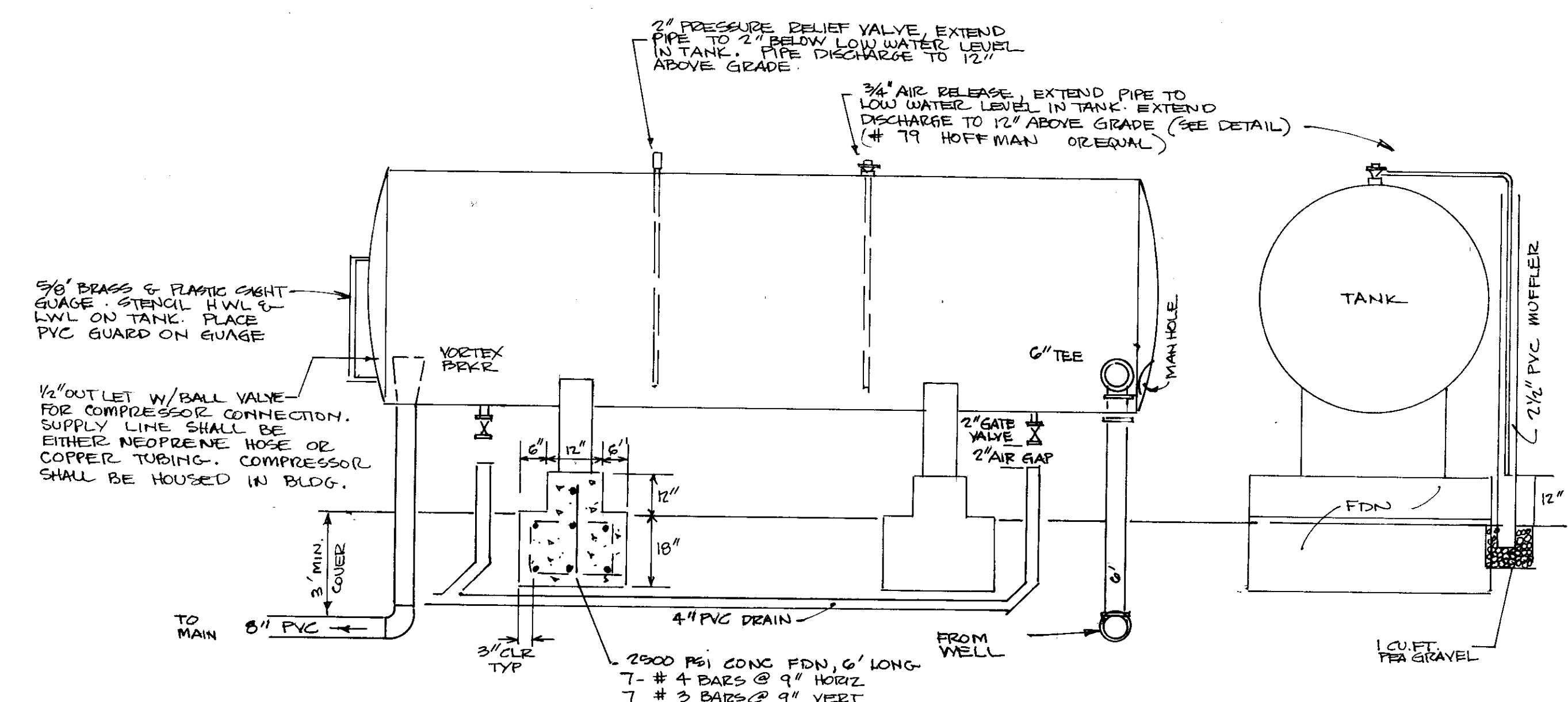


BUILDING DETAILS
N.T.S.

CONSTRUCTION TO CONFORM TO THE UNIFORM BUILDING CODE.

NOTE: THE WOOD FRAME BUILDING SHOWN IS NOT APPLICABLE. A FACTORY BUILT STEEL BUILDING SHALL BE ERECTED.



* ULTIMATE DEPTH WILL BE DETERMINED BY 500 GPM PUMPING REQUIREMENT, BUT NOT LESS THAN 250' DEEP PUMP DRAW DOWN OF 25' ± WILL BE REQUIRED.

WELL AND PUMP DETAIL
N.T.S.

CHAIN LINK FENCE & GATE

SU-11639

APPROVED _____ 19__	APPROVED _____ 19__
---------------------	---------------------

REVISIONS			
NO.	DESCRIPTION	DATE	BY

WONG ENGINEERS, INC.
PLANNING • ENGINEERING • SURVEYING
STOCKTON, CALIFORNIA

Charles Wong
C.E.

PROFESSIONAL ENGINEER
NO. 14,289
EXPIRES 3-31-89
CIVIL
STATE OF CALIFORNIA

JOB NO. 2484	DATE JAN 1988	SCALE HORIZAS SHOWN	SCALE VERT	DRAWN	WE	DESIGN	WE	CHECK	
FAIRCHILD INDUSTRIAL PARK FIRE PROTECTION PLAN								WELL SITE DETAILS	
SHEET 9								OF 9	
FILE									