

SPECIFIC ROAD PLAN

EILERS LANE

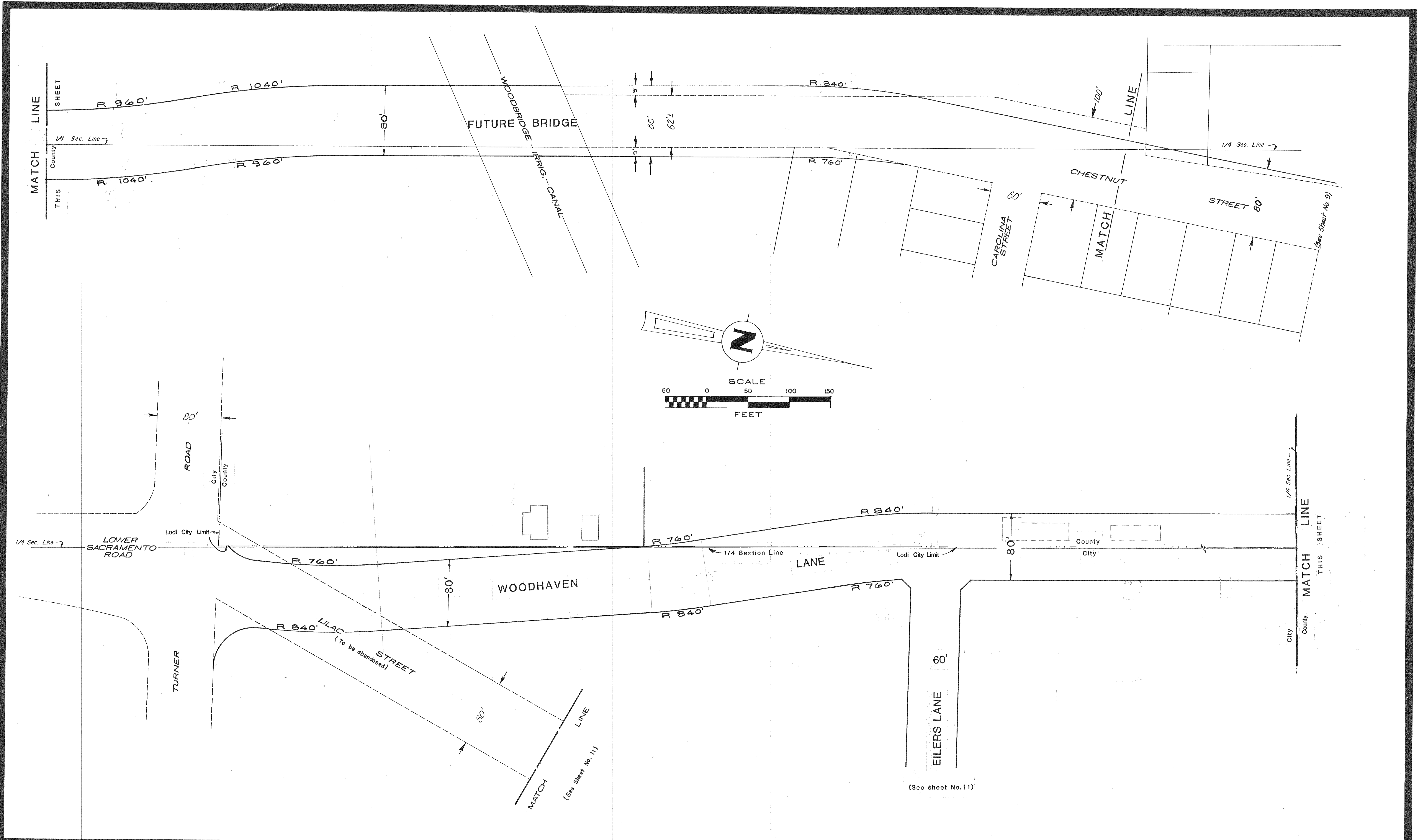
WOODHAVEN DRIVE TO LOWER SACRAMENTO ROAD

REVISIONS

SHEET

11 OF 12

FILE NAME	DRAWER	SHEET NO.	DRWN. BY	DATE
Subdivision	SU	18091	Ry. Sanchez Jr.	4-3-84



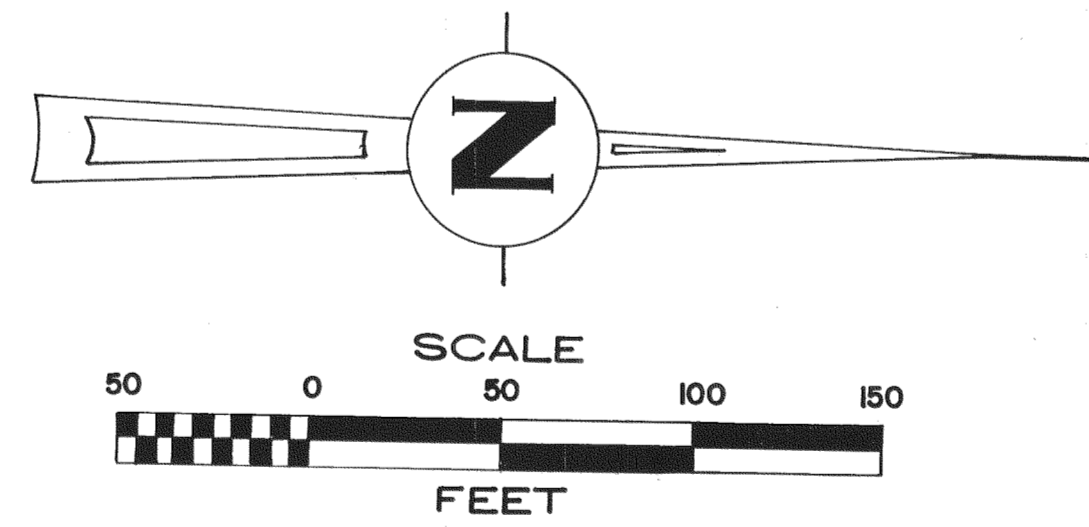
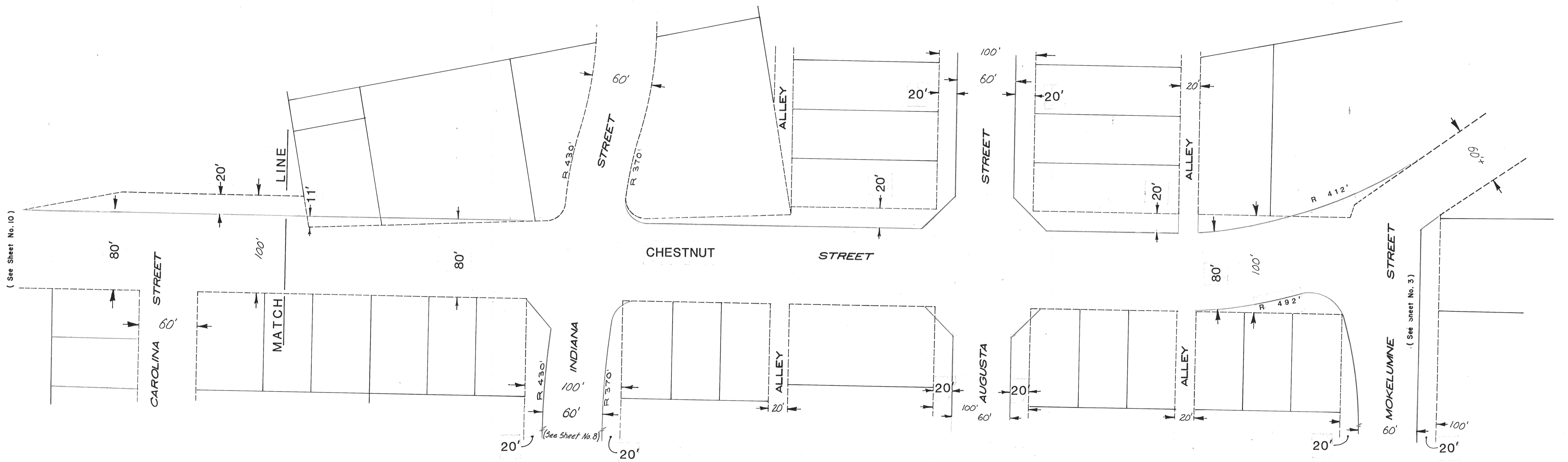
SPECIFIC ROAD PLAN

WOODHAVEN DRIVE AND CHESTNUT STREET TURNER ROAD TO CAROLINA STREET

REVISIONS

SHEET
10 OF 12

FILE NAME	DRAWER	SHEET NO.	DRWN. BY	DATE
Subdivision	SU	18616	Ry Harry Jr	4-3-84



**SPECIFIC
ROAD PLAN**

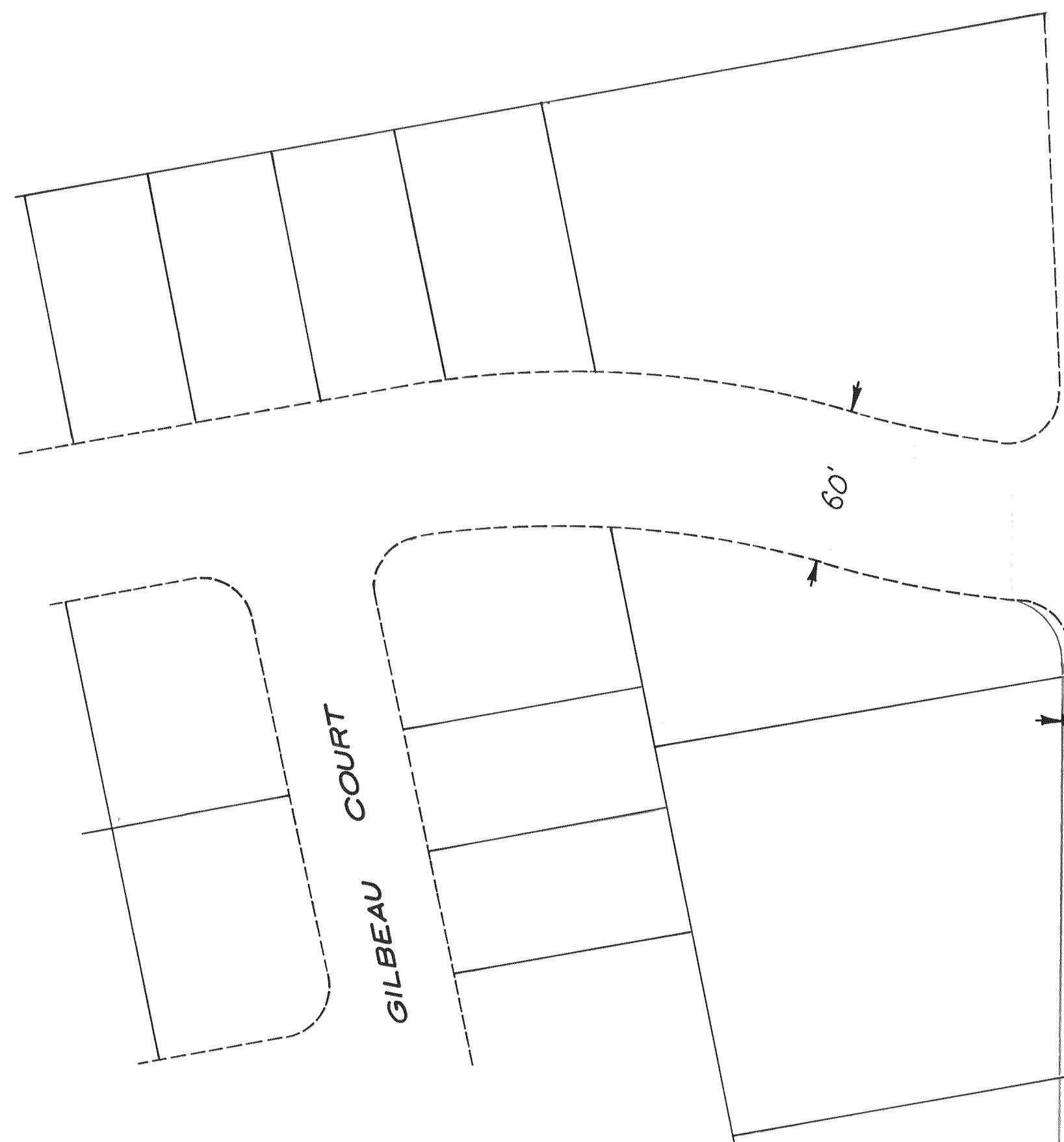
CHESTNUT STREET
CAROLINA STREET TO MOKELUMNE STREET

REVISIONS

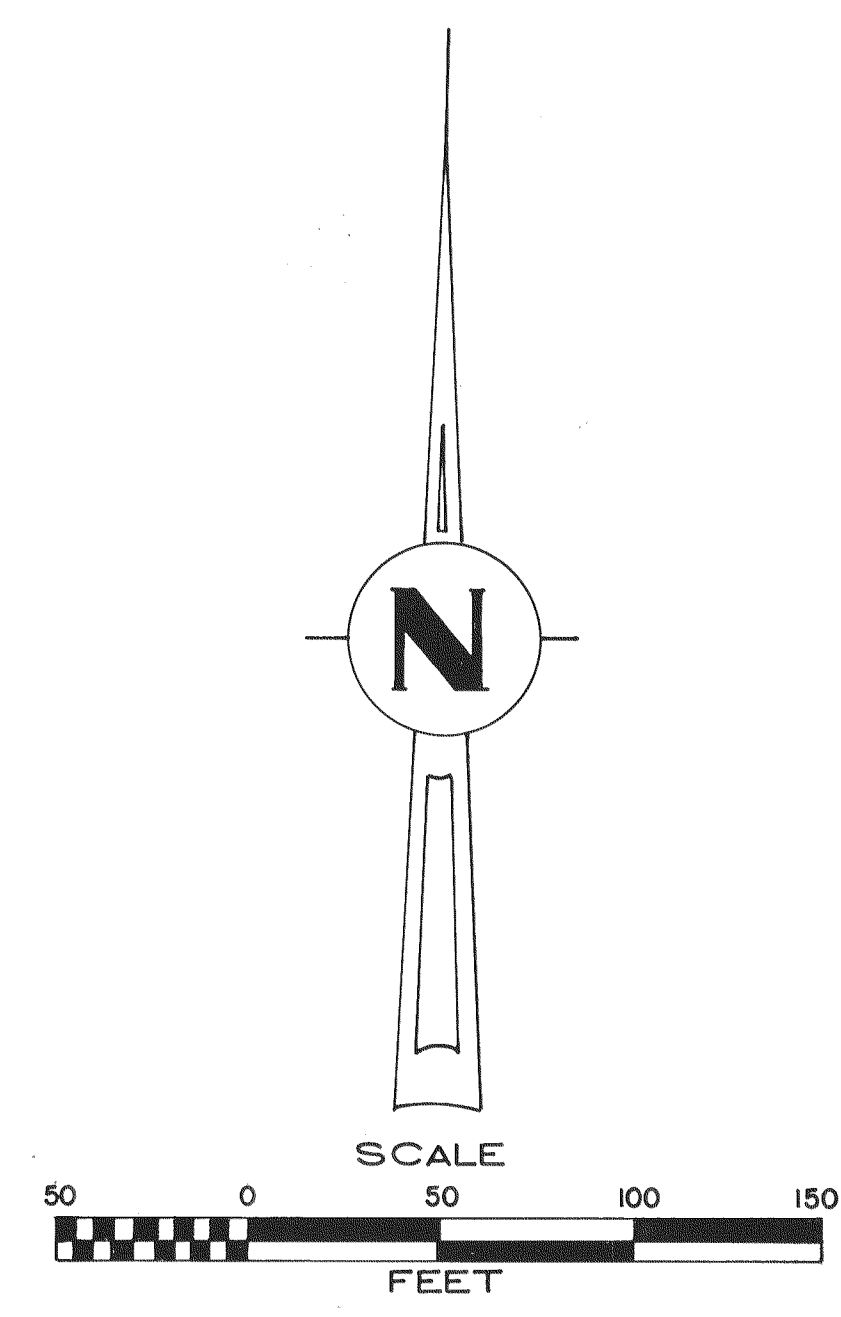
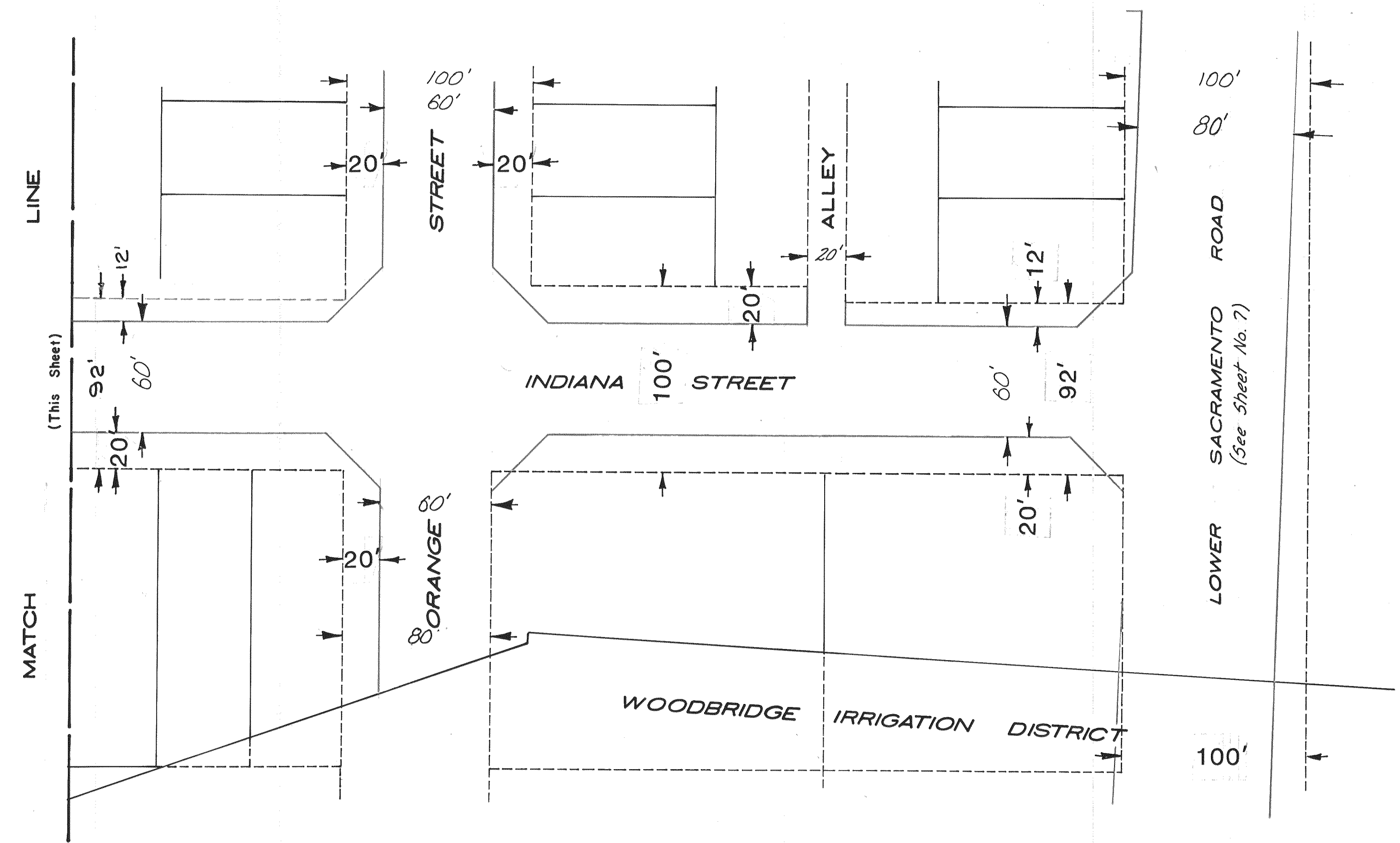
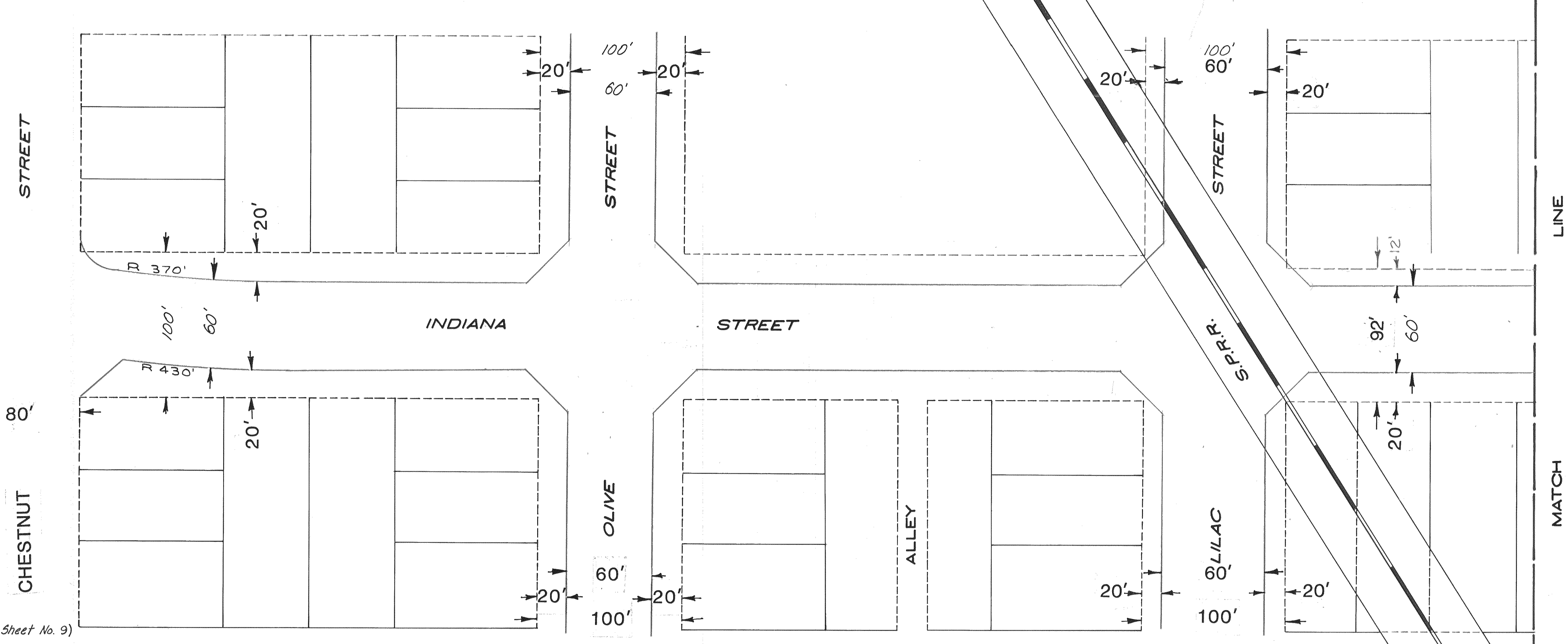
SHEET

9 OF 12

FILE NAME	DRAWER	SHEET NO	DRWN. BY	DATE
Subdivision	30	18639	A. Hancock	4-3-84



(See Sheet No. 9)



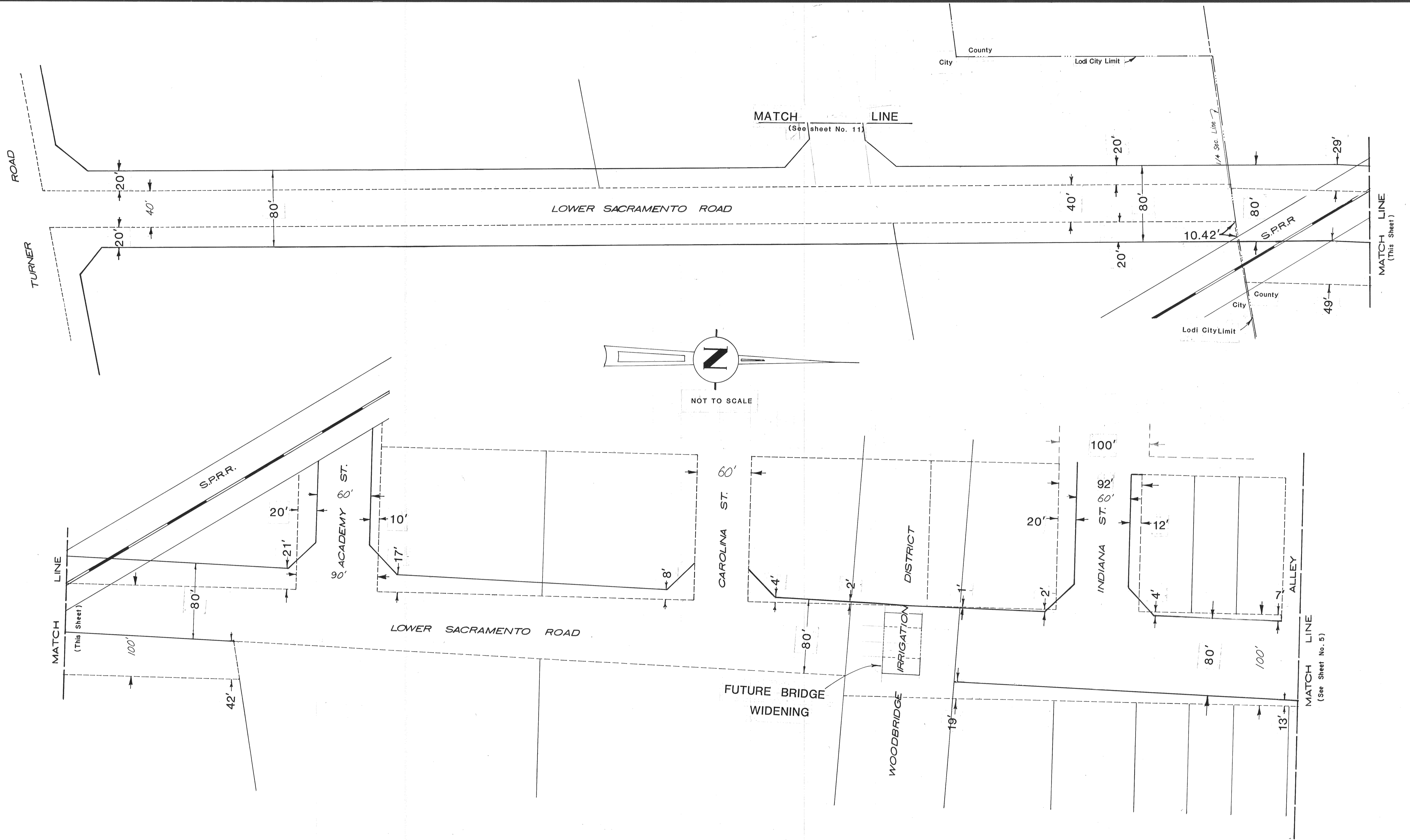
SPECIFIC ROAD PLAN

INDIANA STREET GILBEAU COURT TO LOWER SACRAMENTO ROAD

REVISIONS

SHEET
8 OF 12

FILE NAME	DRAWER	SHEET NO.	DRWN. BY	DATE
Subdivision 186	8	8	By Hand	4-3-84



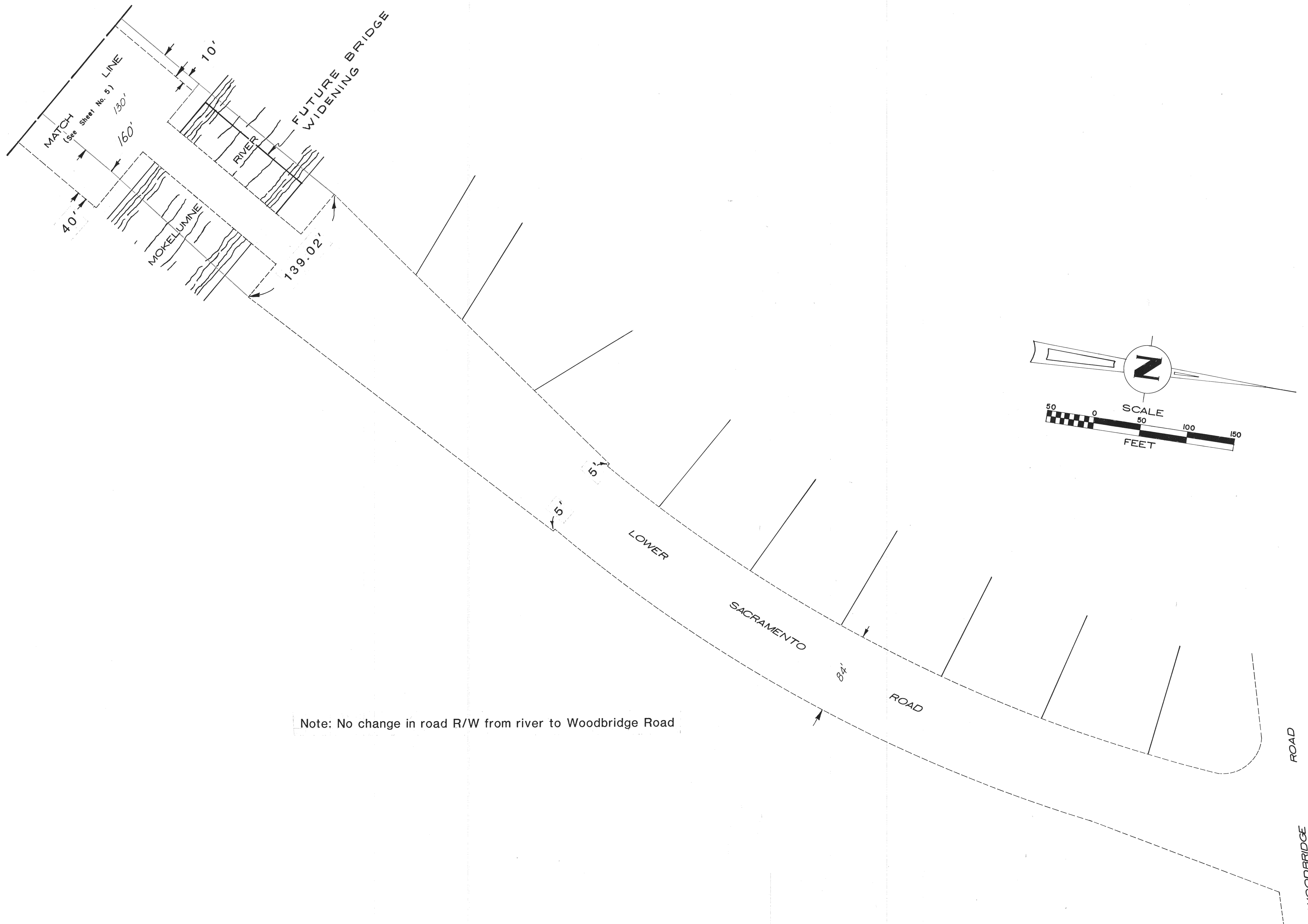
SPECIFIC ROAD PLAN

LOWER SACRAMENTO ROAD TURNER ROAD TO INDIANA STREET

REVISIONS

SHEET
7 OF 12

FILE NAME	DRAWER	SHEET NO.	DRWN. BY	DATE
Subdivision	SU	18677	R. F. ...	4-3-84



Note: No change in road R/W from river to Woodbridge Road

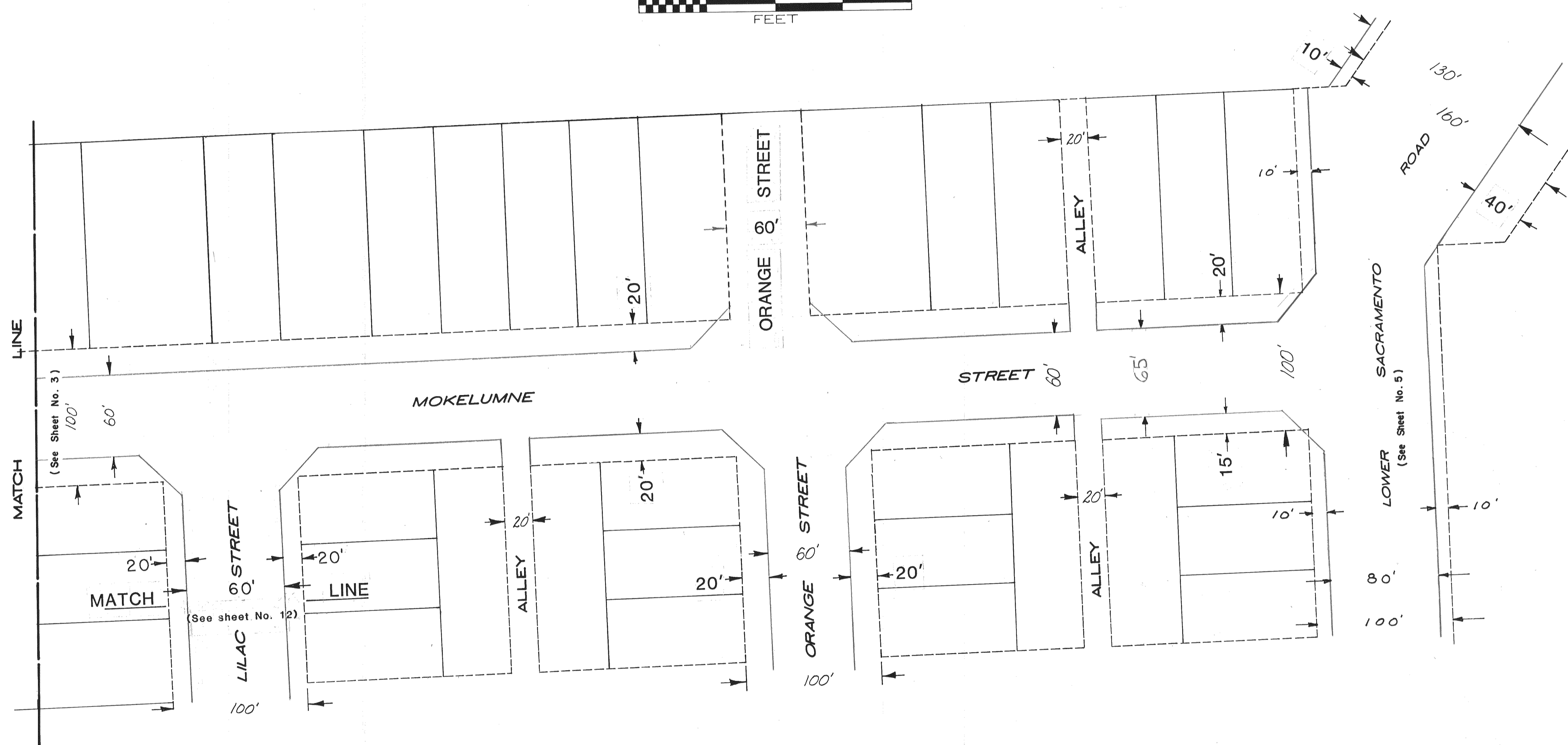
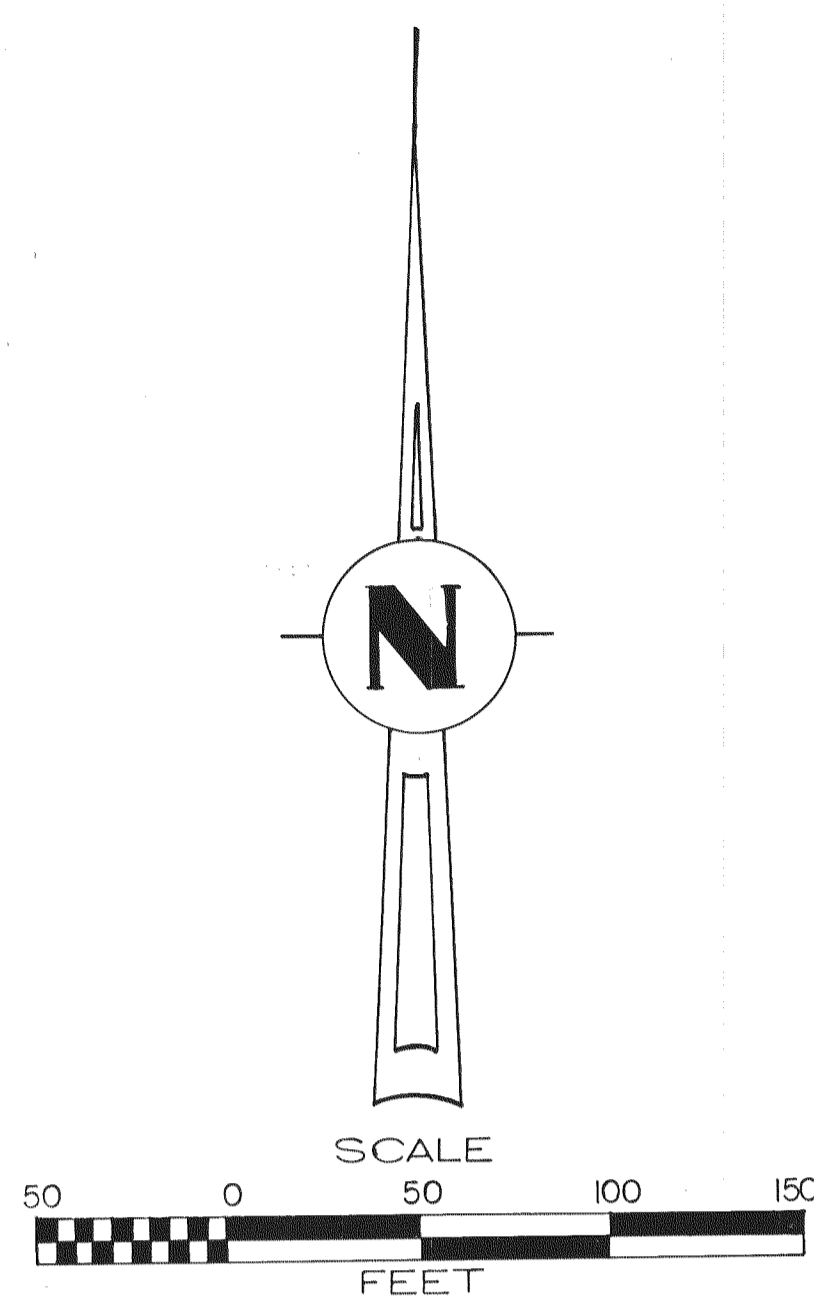
SPECIFIC ROAD PLAN

LOWER SACRAMENTO ROAD SOUTH OF WOODBRIDGE ROAD

REVISIONS

SHEET
6 OF 12

FILE NAME	DRAWER	SHEET NO.	DRWN. BY	DATE
Subdivision	SU	18658	By Hand	4-3-84



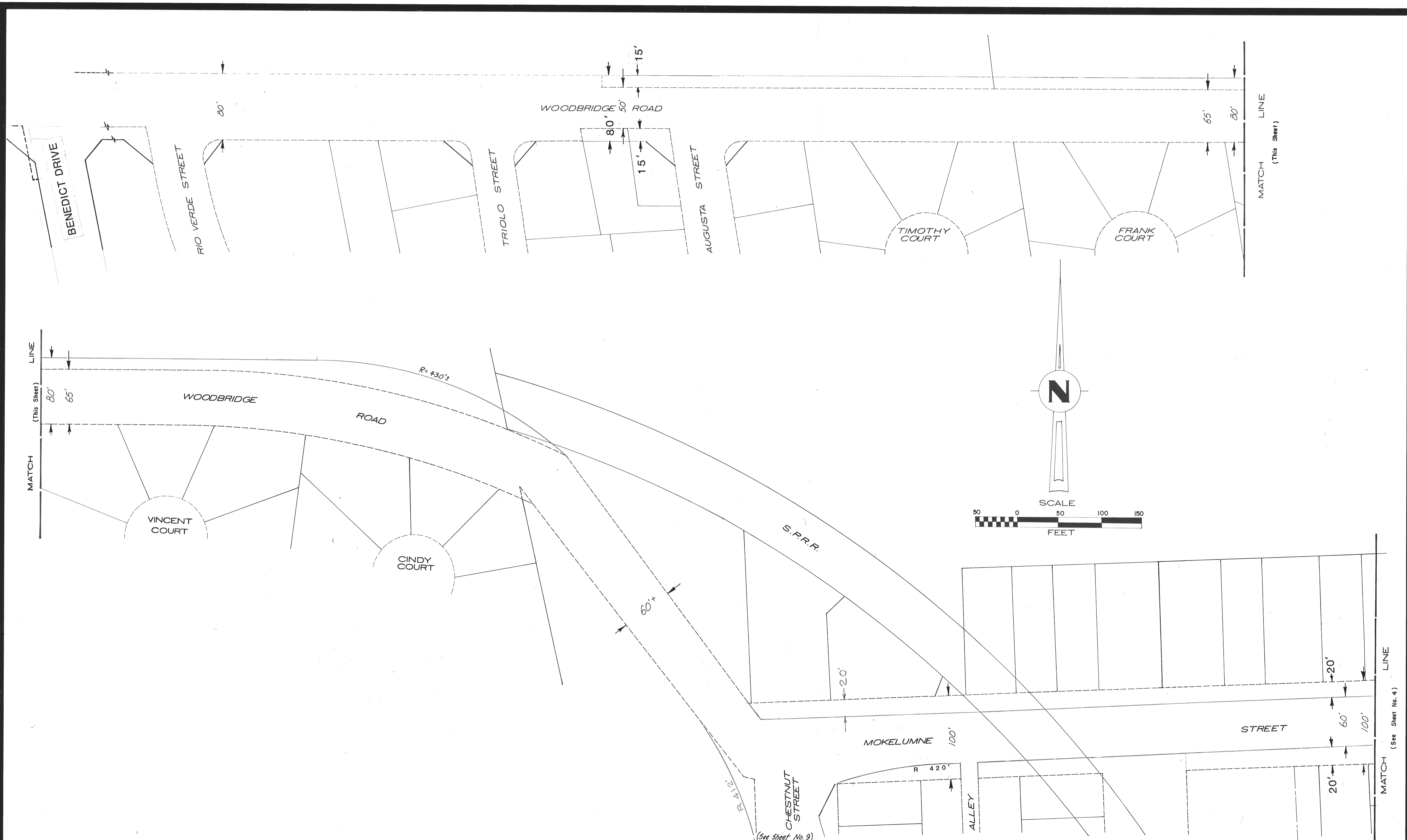
SPECIFIC ROAD PLAN

MOKELUMNE STREET LILAC STREET TO LOWER SACRAMENTO ROAD

REVISIONS
1/13/86 JEN

SHEET
4 OF 12

FILE NAME	DRAWER	SHEET NO	DRWN.BY	DATE
Subdivision	SU	4/18/84	As shown	4-3-84



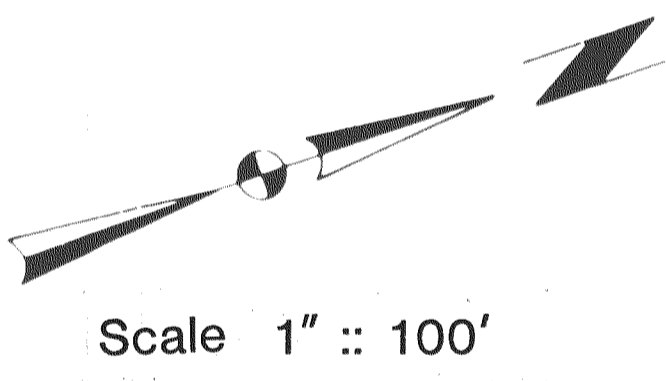
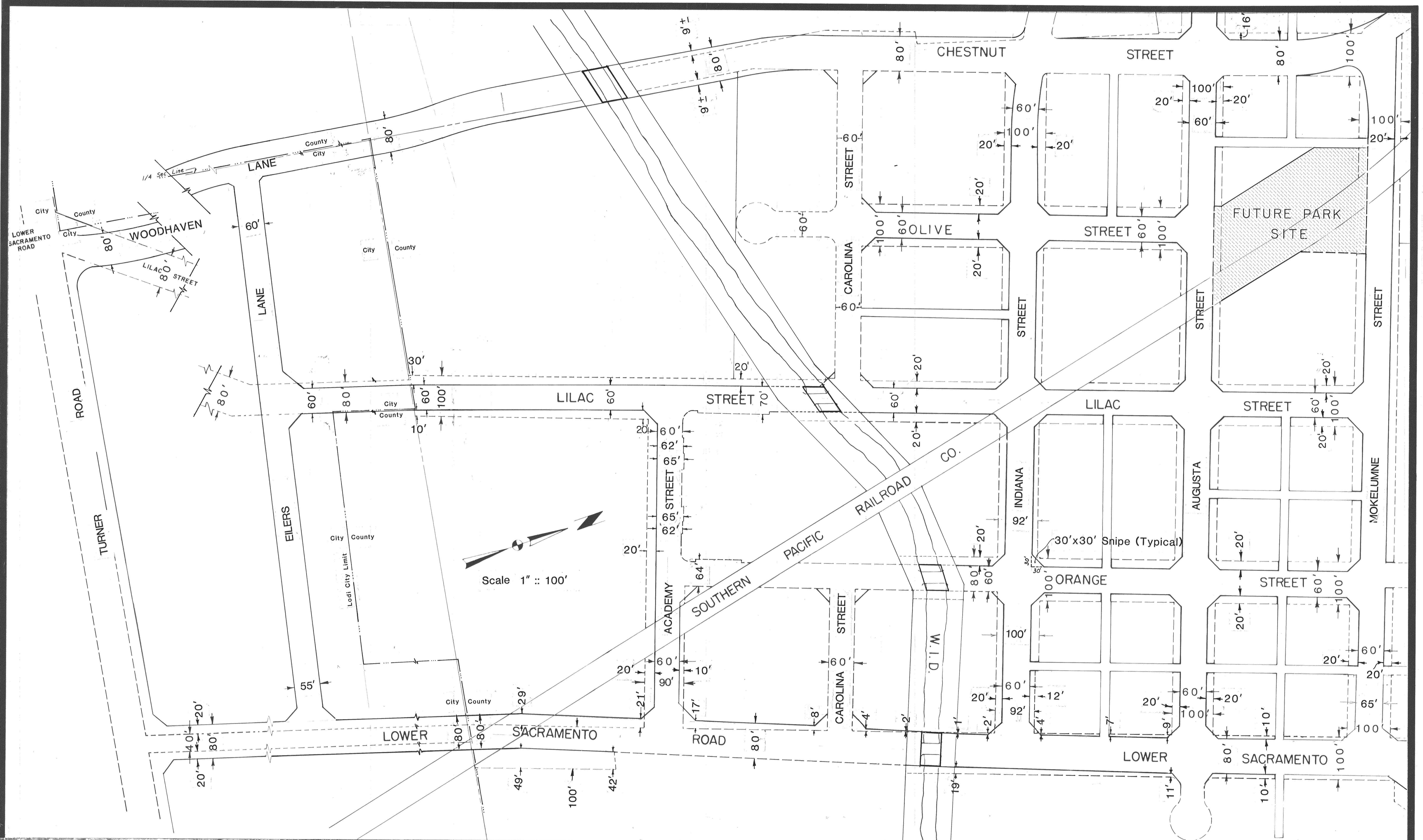
SPECIFIC ROAD PLAN

WOODBIDGE ROAD AND MOKELUMNE STREET

REVISIONS

SHEET **3** OF **12**

FILE NAME	DRAWER	SHEET NO.	DRWN. BY	DATE
Subdivision	SU	3/1868	Ray Rountree	4-3-84



SPECIFIC ROAD PLAN

OLD TOWN AREA

REVISIONS
1/13/86 JEM

SHEET
 2 OF 12

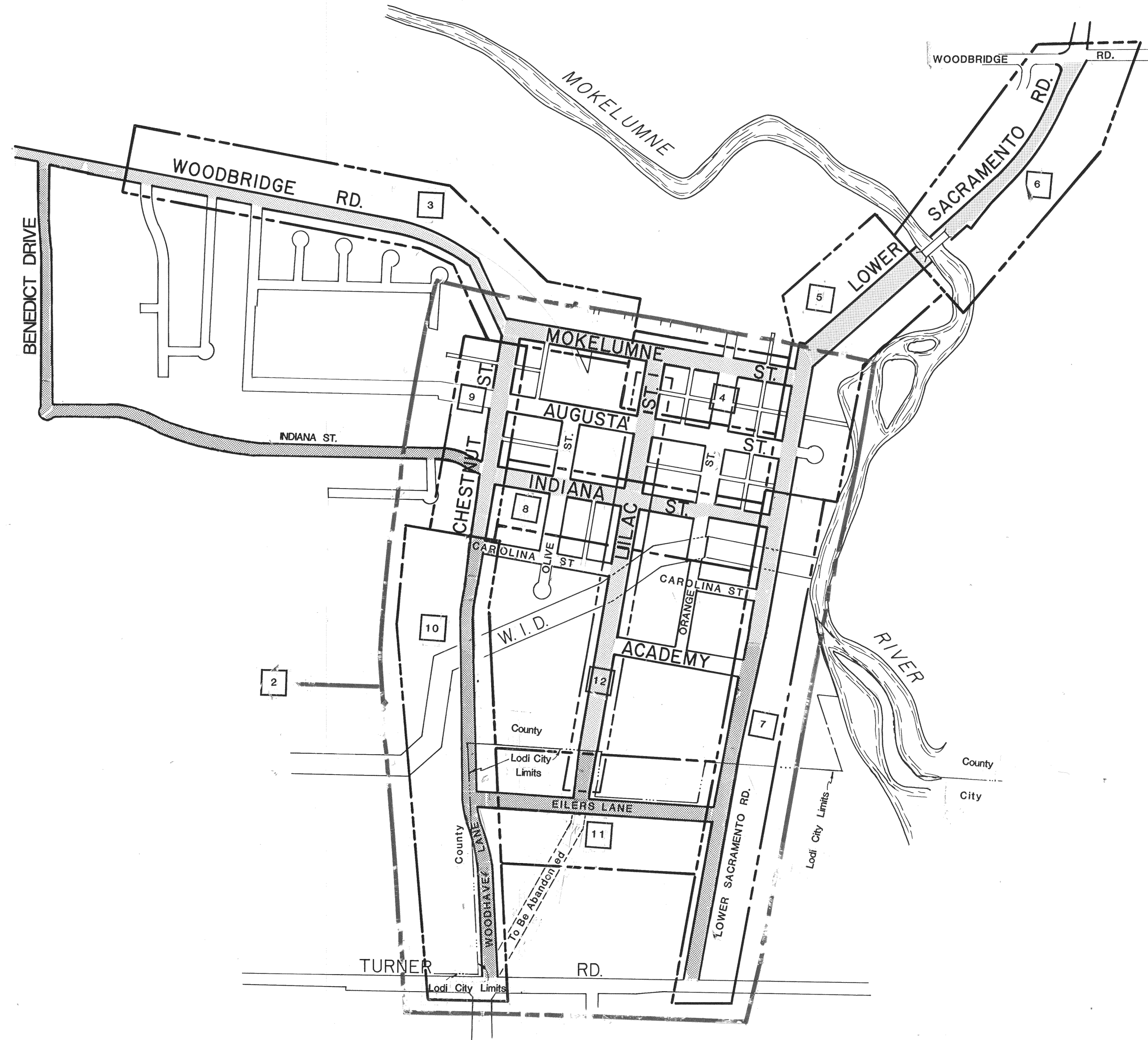
FILE NAME	DRAWER	SHEET NO.	DRWN. BY	DATE
Subdivision	SU	2/1869		

INDEX OF SHEETS

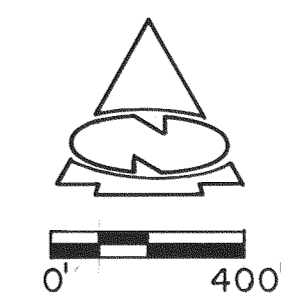
SHEET NUMBER	STREET NAME
1	TITLE PAGE
2	OLD TOWN AREA
3	WOODBIDGE ROAD AND MOKELUMNE STREET
4	MOKELUMNE STREET (Lilac Street to Lower Sacramento Road)
5	LOWER SACRAMENTO ROAD AND TYPICAL SECTIONS (North of Augusta Street)
6	LOWER SACRAMENTO ROAD (South of Woodbridge Road)
7	LOWER SACRAMENTO ROAD (Turner Road to Indiana Street)
8	INDIANA STREET (Gilbeau Court to Lower Sacramento Road)
9	CHESTNUT STREET (Carolina Street to Mokelumne Street)
10	WOODHAVEN LANE AND CHESTNUT STREET (Turner Road to Carolina Street)
11	EILERS LANE (Woodhaven Lane to Lower Sacramento Road)
12	LILAC STREET (Eilers Lane to Mokelumne Street)

LEGEND

- RD. Road
- R/W Right of Way
- ST. Street
- W.I.D. Woodbridge Irrigation District
- Existing Right of Way
- 1 Sheet and Sheet Number
- Proposed R/W
- 1/4 Section Line
- Lodi City Limits
- Circulation Plan



LOCATION MAP



APPROVED BY CITY OF LODI
PLANNING COMMISSION

CHAIRMAN _____ DATE _____

ADOPTED BY SAN JOAQUIN COUNTY
BOARD OF SUPERVISORS

CHAIRMAN *[Signature]* DATE 6-15-86 ORD. NO. R-85-1031 AND R-86-289

APPROVED BY SAN JOAQUIN COUNTY
PLANNING COMMISSION

CHAIRMAN *[Signature]* DATE 2-20-86 PC - 86-9

ADOPTED BY LODI
CITY COUNCIL

ATTEST _____ DATE _____ RES. NO. _____

SPECIFIC
ROAD PLAN

WOODBIDGE

REVISIONS

SHEET

1 OF 12

FILE NAME	DRAWER	SHEET NO.	DRWN. BY	DATE
Subdivision	SU	1870	V.A.	