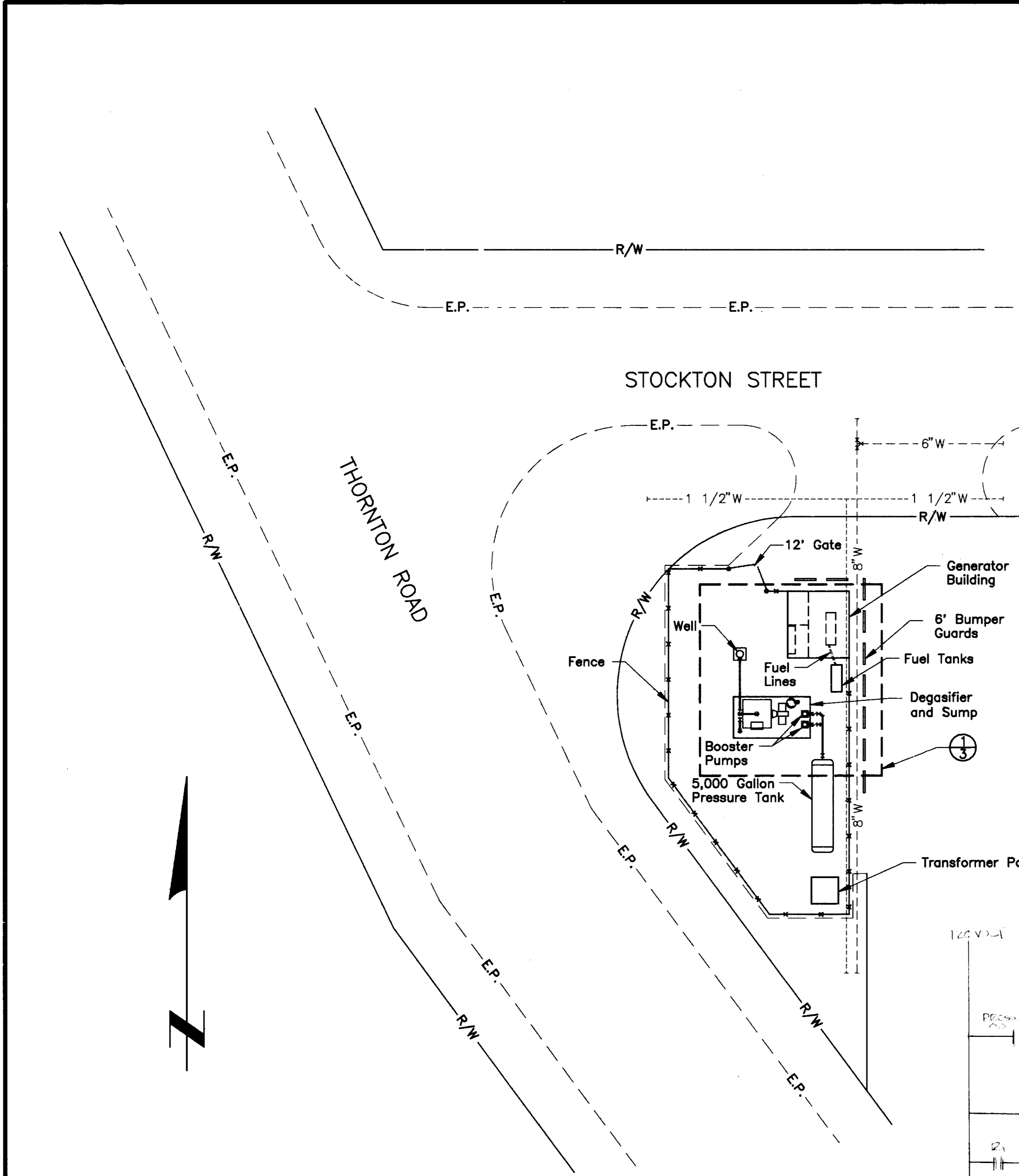
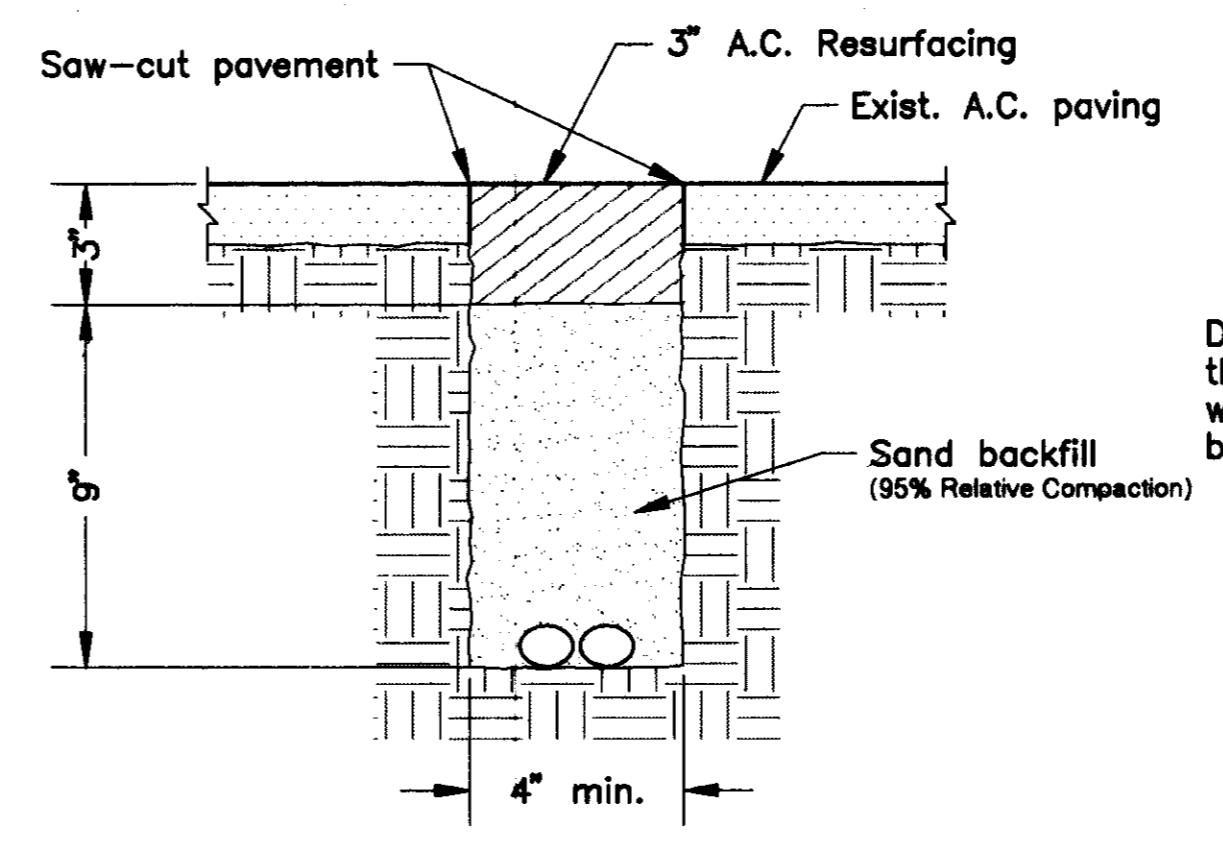


SU 2814

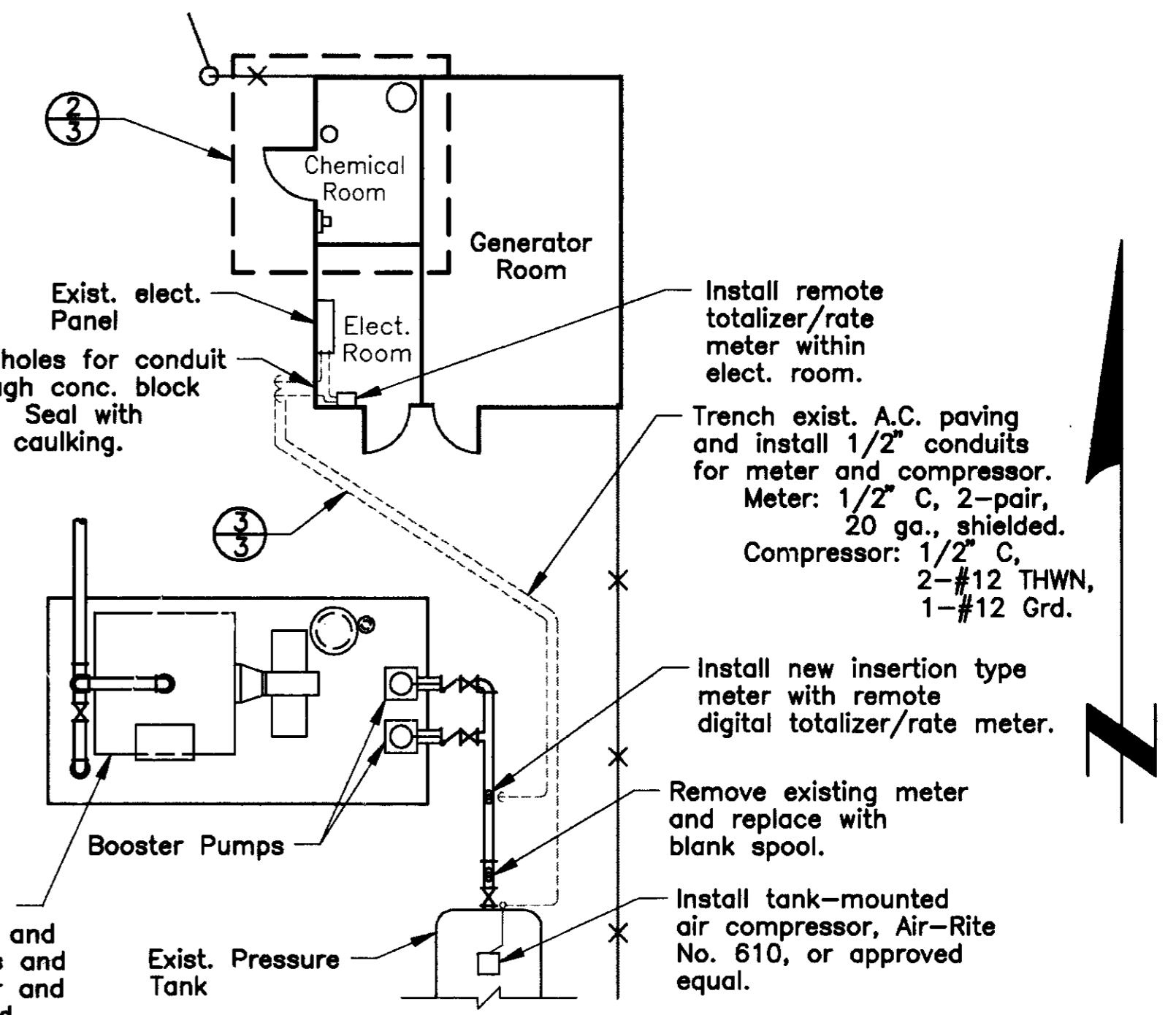
REVISIONS	DATE



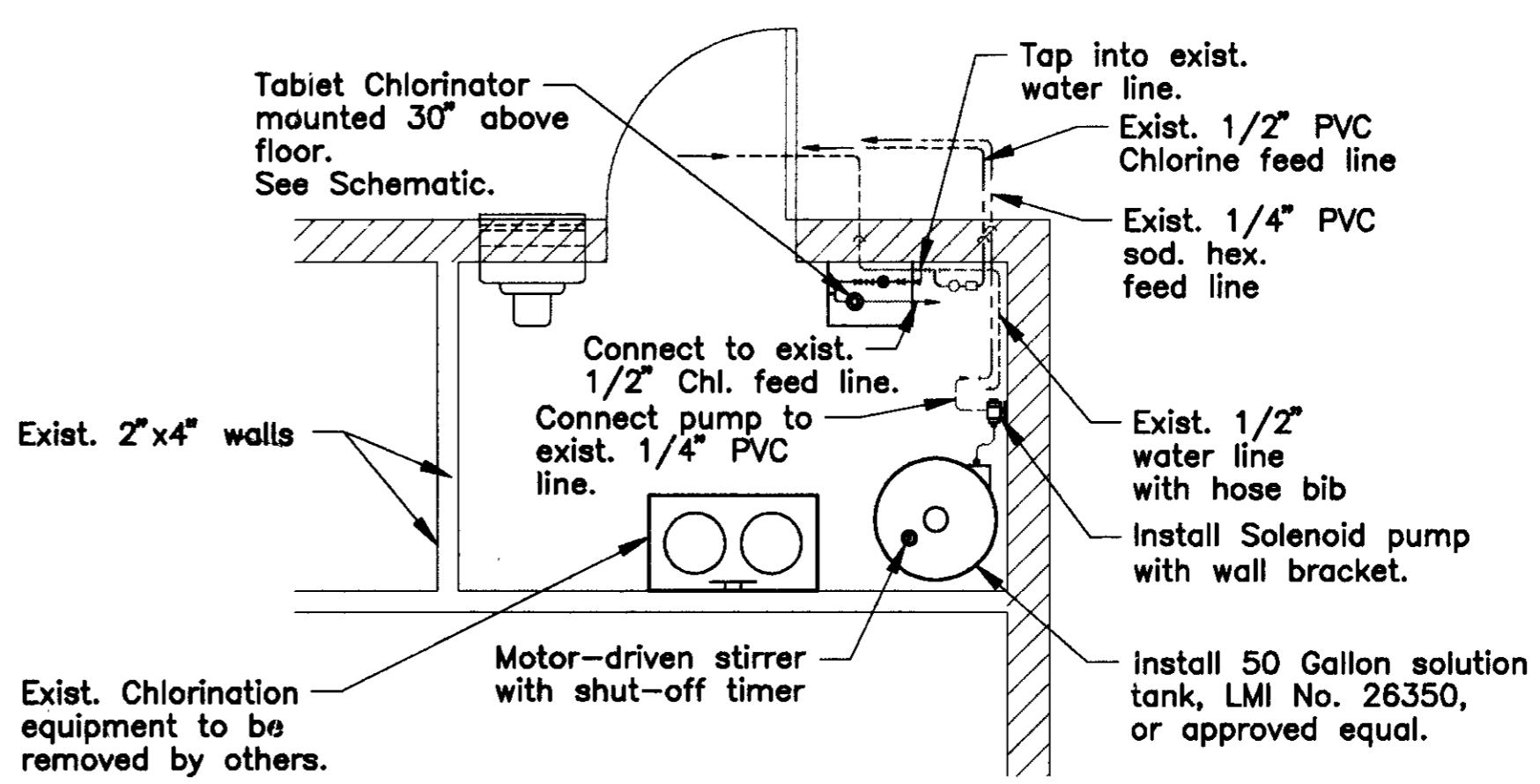
**SITE PLAN**  
SCALE: 1"=20'



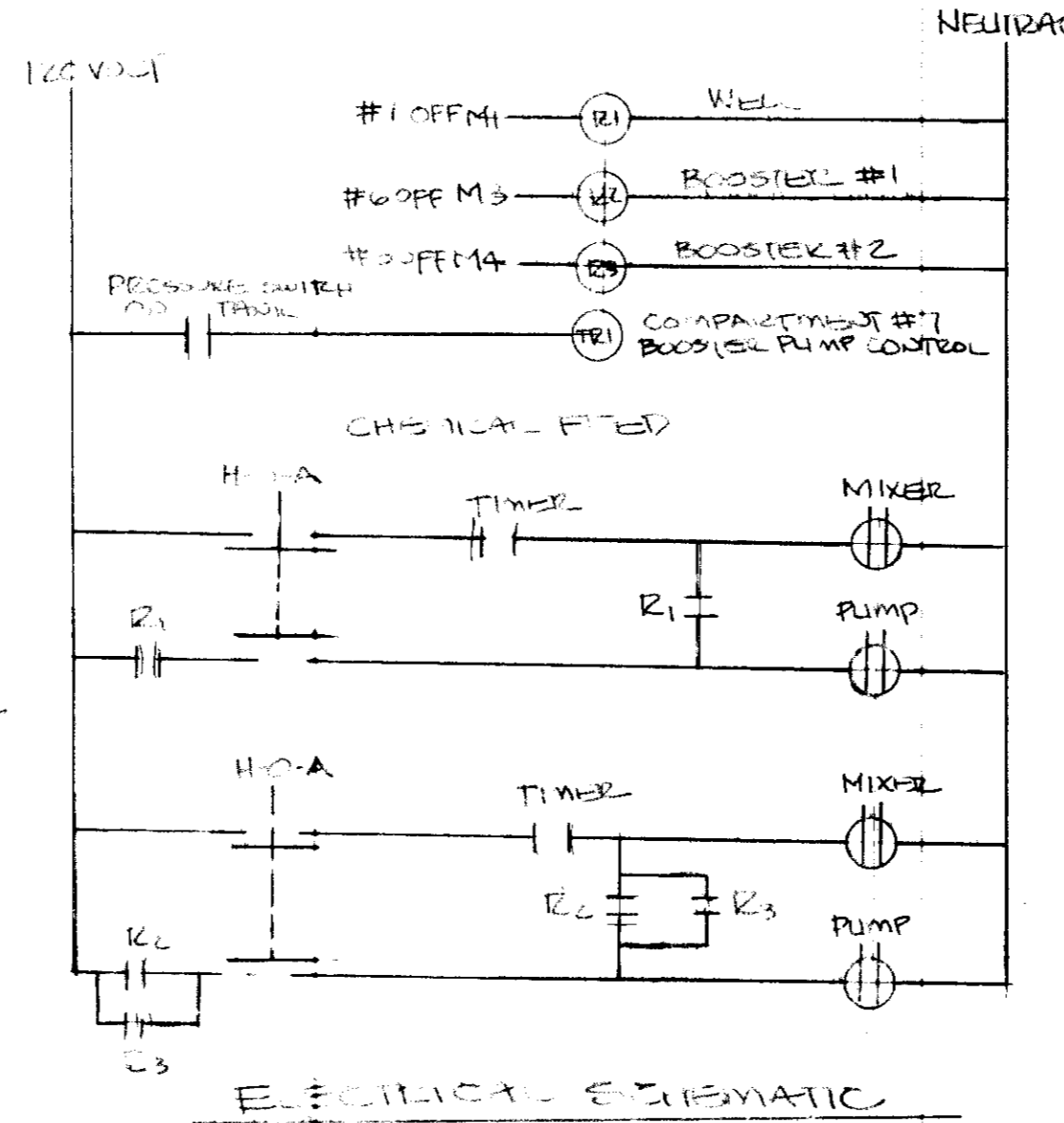
**TRENCH DETAIL** ③  
NOT TO SCALE



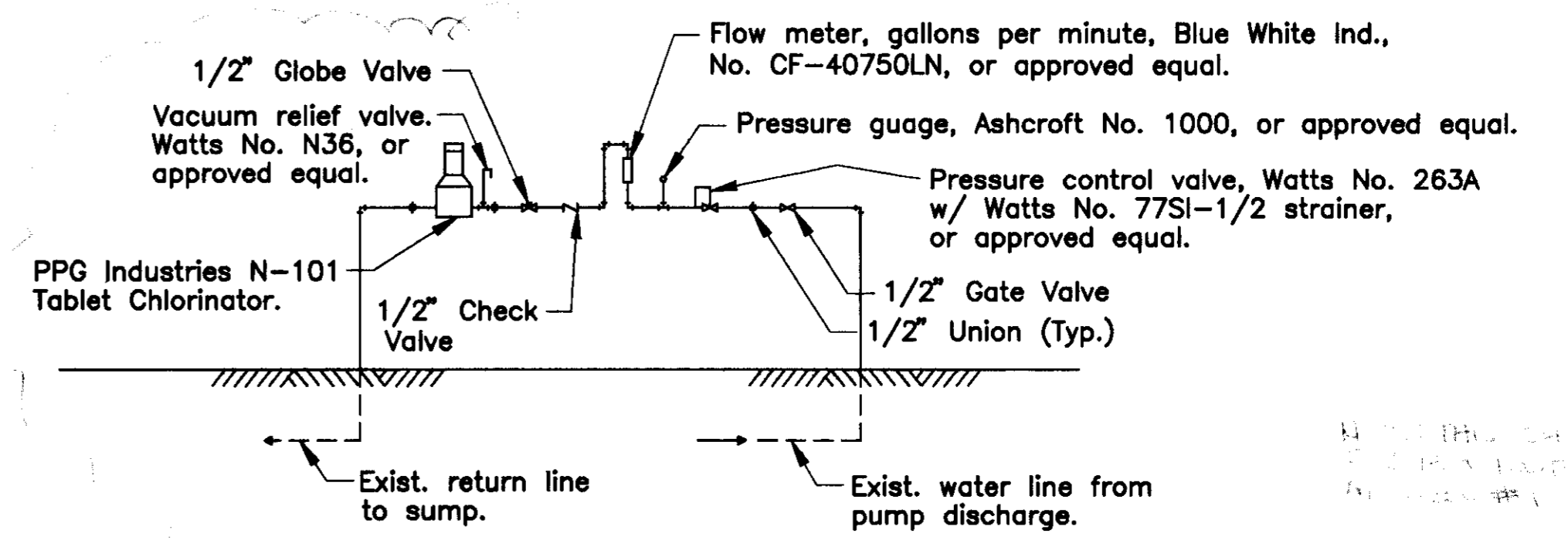
**DETAIL** ①  
SCALE: 1/8"=1'-0"



**DETAIL** ②  
SCALE: 3/8"=1'



**ELECTRICAL SCHEMATIC**



**CHLORINATION SYSTEM SCHEMATIC**  
NOT TO SCALE

DRAWN BY	DATE	PROJECT ENGINEER	DATE	CHECKED	DATE	SUBMITTED	DATE	APPROVED	DATE
<i>[Signature]</i>	6/10/99	<i>[Signature]</i>	6/10/99			<i>[Signature]</i>	6/17/99	<i>[Signature]</i>	6/24/99
FILE NAME	DRAWER	SHEET NO.	ACAD						
			C:\TWS\SP2						

COUNTY OF SAN JOAQUIN

SCALE AS NOTED

WELL NO. 2 SITE PLAN AND DETAILS

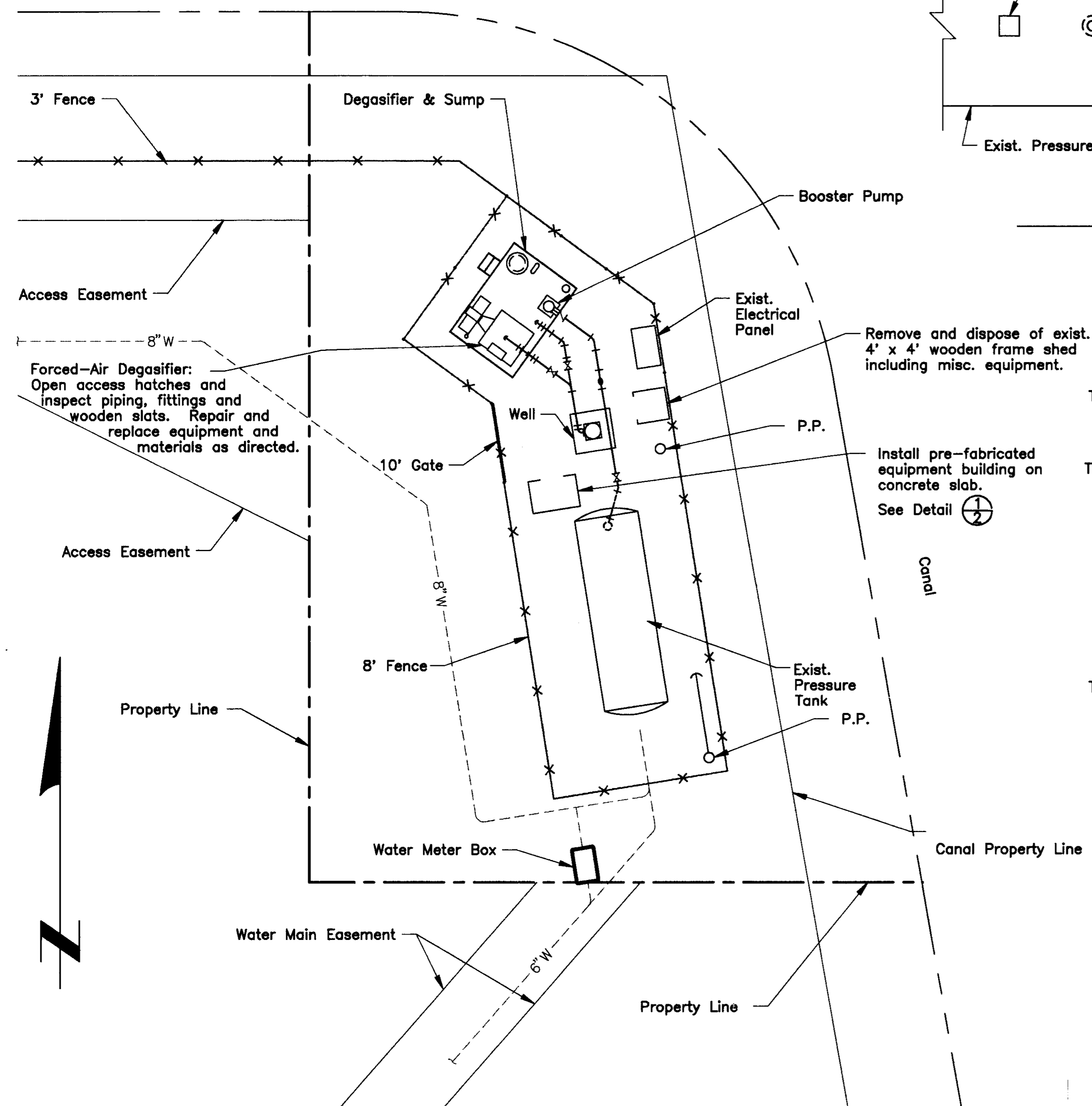
THORNTON WELL SITE IMPROVEMENTS

SHEET NO.	TOTAL SHEETS
3	3

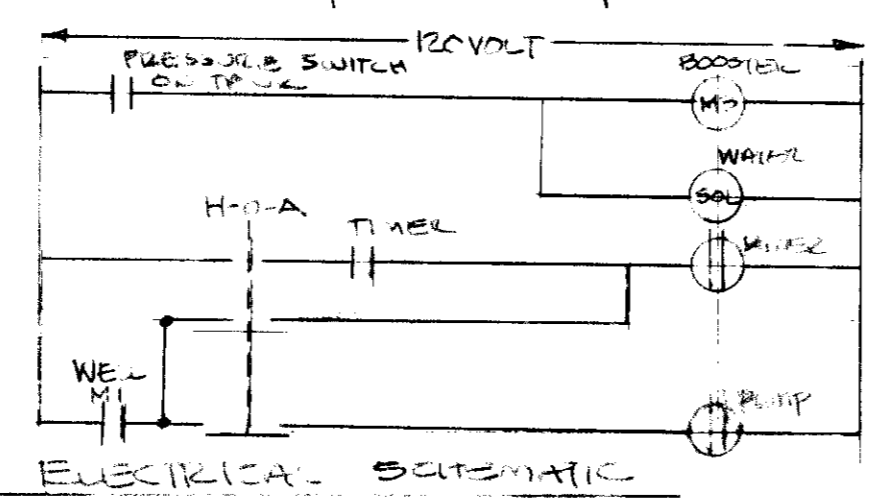
BRIDGE FILE INDEX NO.

**NOTES:**

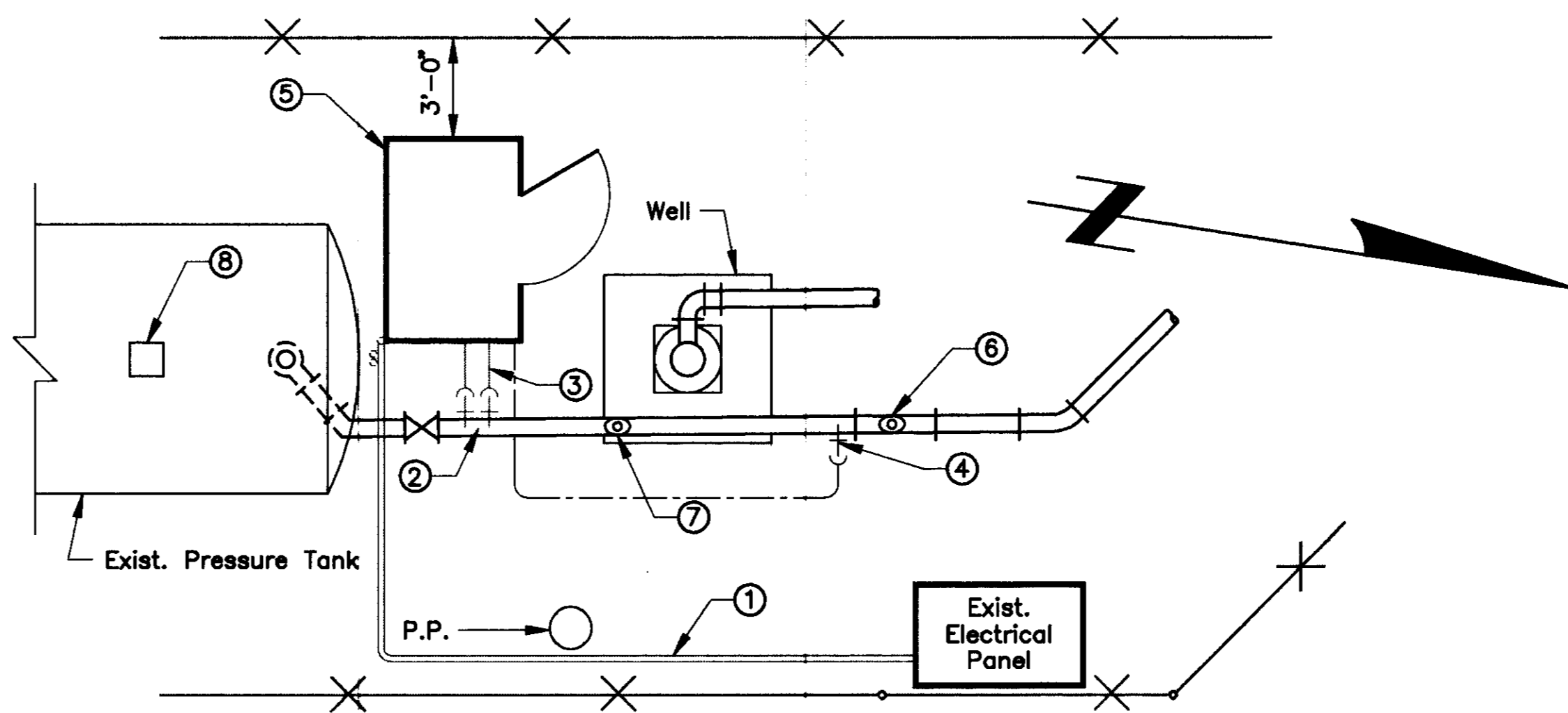
- ① Install branch feeder: 1" conduit with 2-#10 THWN, 1-#12 THWN, 1 cu ground. Place conduit on slab surface and secure with clamps and power-driven anchors spaced 8 ft. on center, max.
- ② Tap existing 8" SCH 80 steel pipe and install injector and corporation stop assembly (two each).
- ③ Install 1/4" PVC feed lines within 3/4" SCH 40 PVC pipe. Run feed lines from solenoid pumps to injectors and connect according to manufacturer's instructions.
- ④ Existing pipe tap. Replumb with new steel pipe along ground to equipment building.
- ⑤ Install pre-fab fiberglass equipment building, Bevco No. ECS-F46, or approved equal.  
See Floor Plan ②
- ⑥ Remove existing meter and replace with blank spool.
- ⑦ Install new insertion type water meter with remote totalizer/rate meter within equipment building on east wall. Follow all manufacturer's installation requirements.
- ⑧ Install air compressor, Air Rite No. 610, or approved equal.



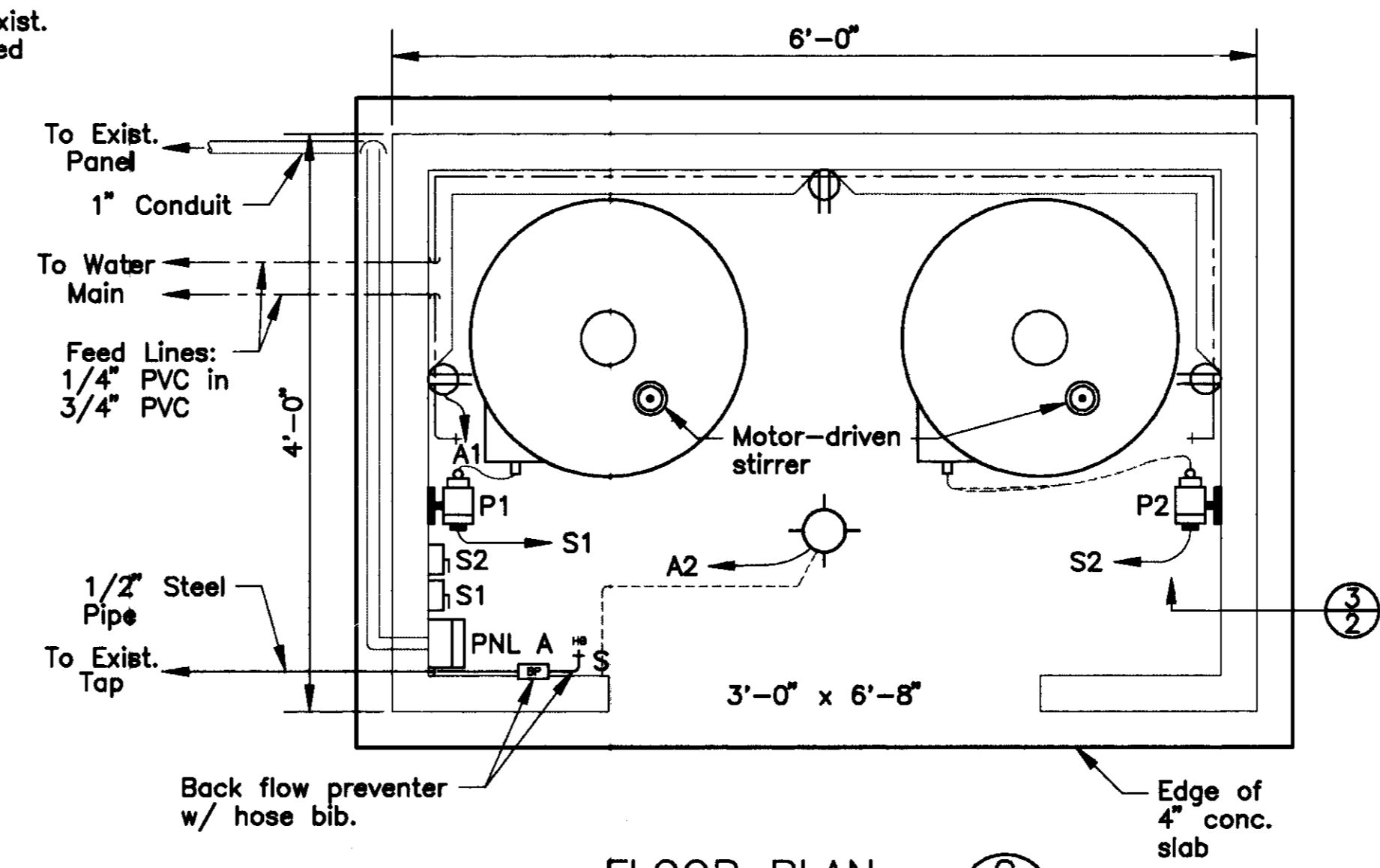
**SITE PLAN**  
SCALE: 1"=10'



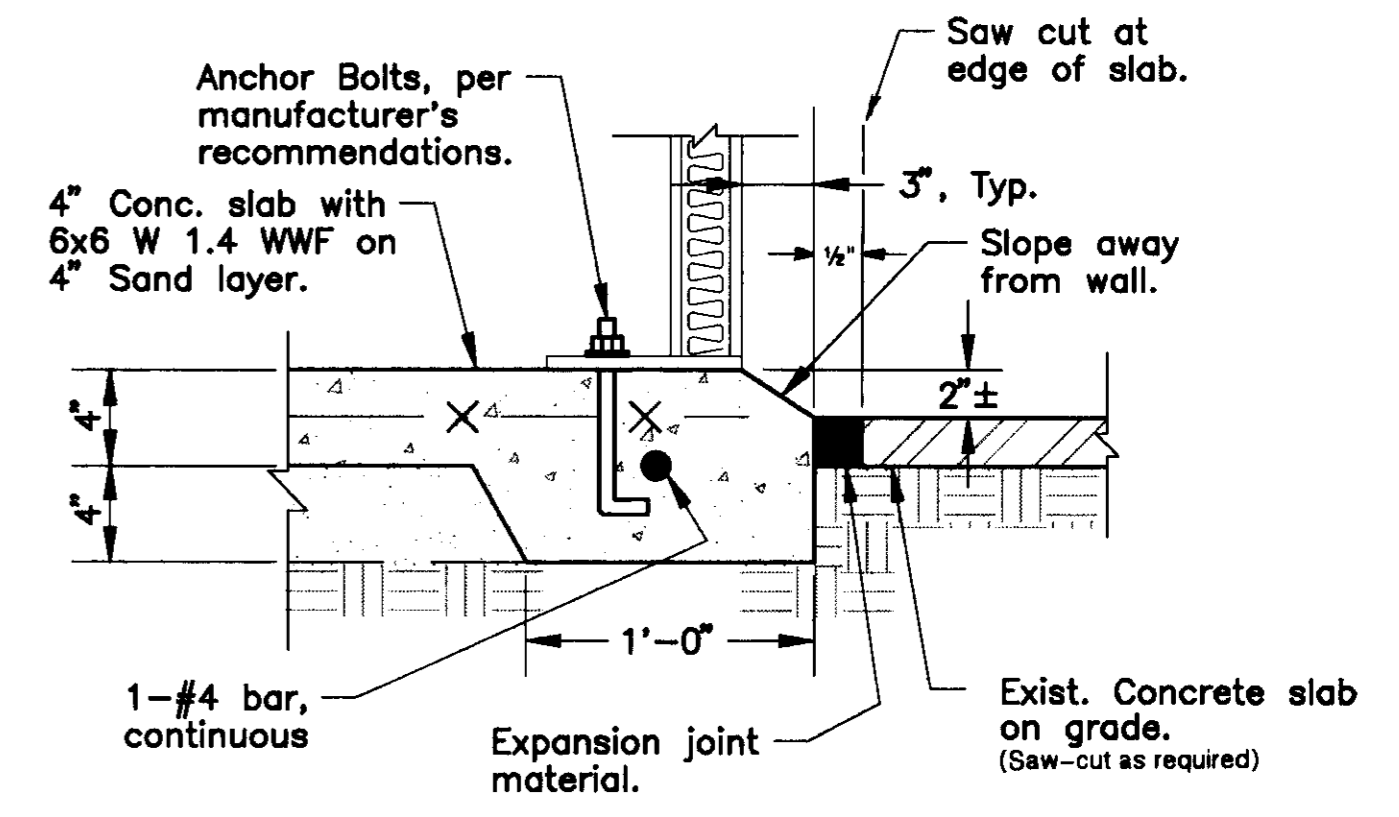
**ELECTRICAL SCHEMATIC**



**DETAIL ①**  
SCALE: 1/4"=1'

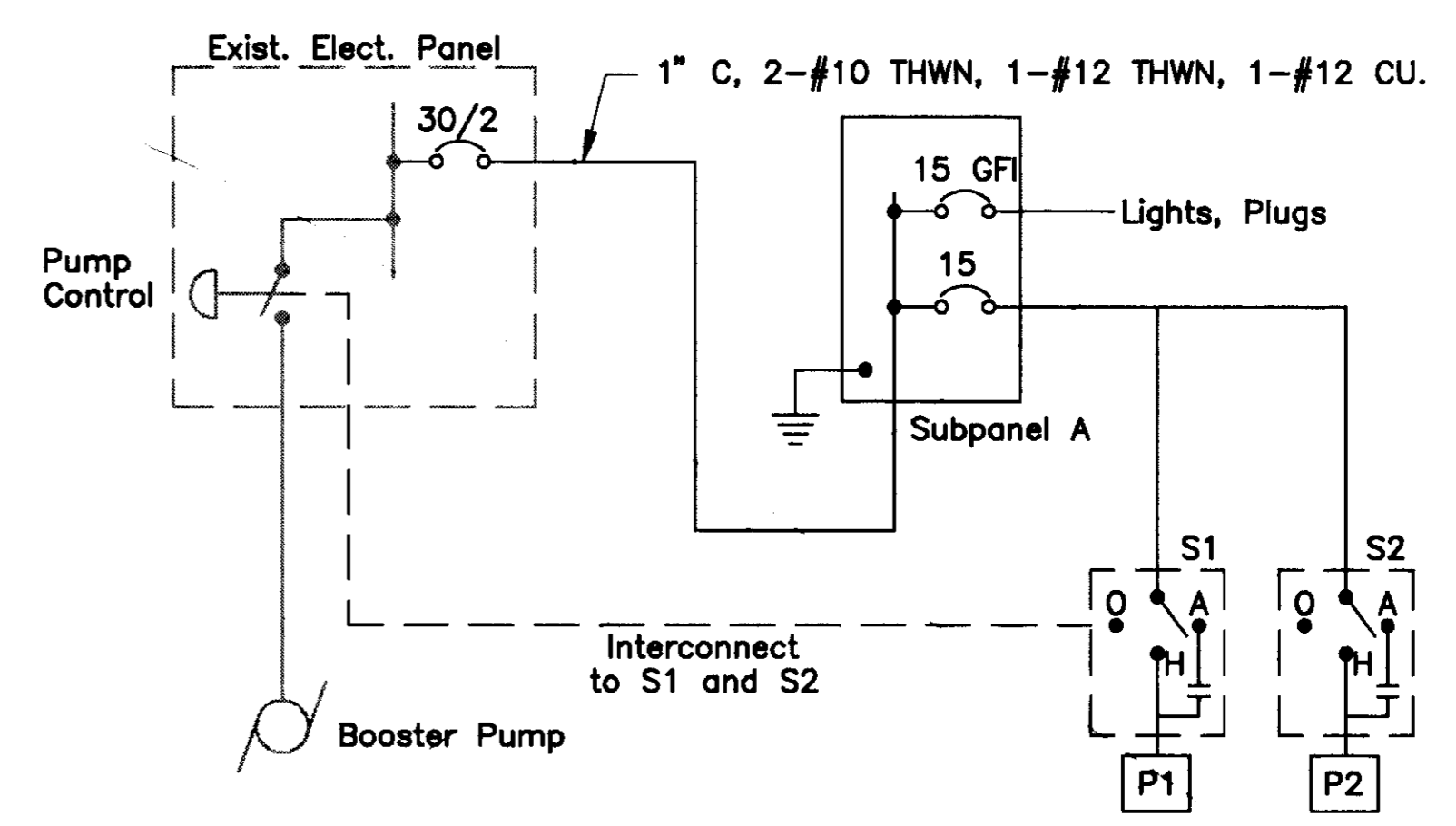


**FLOOR PLAN ②**  
SCALE: 1"=1'



**SECTION ③**  
SCALE: 1 1/2"=1'

EQUIPMENT SCHEDULE	
SYMBOL	DESCRIPTION
	S1 Hand-Off-Auto Selector Switch, Type K, Class 9001, Square D Model No. KS4(1) w/ #R8 Knob & Nema 4 box.
	P1 Solenoid Pump, Wallace & Tiernar Model No. 45-010, or approved equal.
	50 Gallon Polyethylene Tank, LMI Model No. 26350, or approved equal.
	Motor-driven stirrer with shut-off timer, 1/20 HP, 115V, 60 Hz.



**ONE-LINE DIAGRAM**  
NOT TO SCALE

SU 2815

DRAWN BY <i>Carole Jeff</i>	DATE 4/1/99	PROJECT ENGINEER <i>Dean B. Wilson</i>	DATE 6/1/99	CHECKED	DATE	SUBMITTED <i>Manuel M...</i>	DATE 4/1/99	APPROVED <i>[Signature]</i>	DATE 4/24/99	COUNTY OF SAN JOAQUIN	SCALE AS NOTED	WELL NO. 1 SITE PLAN AND DETAILS	THORNTON WELL SITE IMPROVEMENTS	SHEET NO. 2	TOTAL SHEETS 3
FILE NAME	DRAWER	SHEET NO.	ACAD												
			C:\TWS\SP1												

BRIDGE FILE INDEX NO.

INDEX OF SHEETS

SHEET 1	TITLE PAGE
SHEET 2	WELL NO. 1 SITE PLAN AND DETAILS
SHEET 3	WELL NO. 2 SITE PLAN AND DETAILS

COUNTY OF SAN JOAQUIN  
**DEPARTMENT OF PUBLIC WORKS**

STOCKTON, CALIFORNIA

**PROJECT PLANS FOR  
 THORNTON WELL SITE IMPROVEMENTS**

COUNTY SERVICE AREA NO. 12

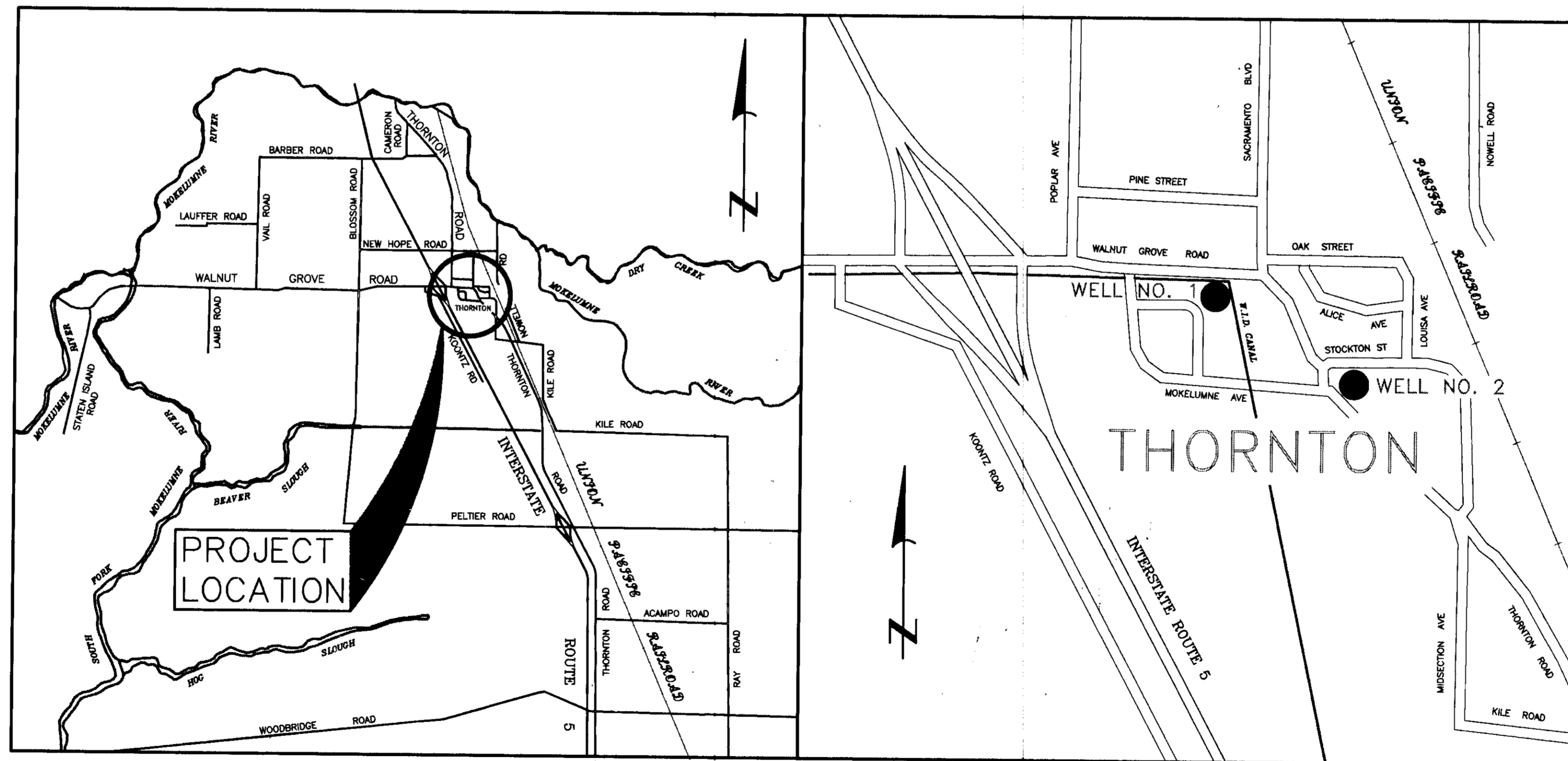
TO BE SUPPLEMENTED BY STANDARD PLANS DATED JULY 1992

COUNTY OF SAN JOAQUIN

Submitted June 17 1994

*Henry M. Hirata*

HENRY M. HIRATA R.C.E. 21258  
 Director of Public Works



Applicable Standard Plans

A10A, A10B

—ABBREVIATIONS—

(In addition to listings in S.P. A10A)

- C. & G. = Curb and Gutter
- C.G. & S. = Curb, Gutter and Sidewalk
- Ø = Diameter
- Rdwy. = Roadway
- S.J. Co. Std. = San Joaquin County Standard
- San. = Sanitary
- S.P. = Standard Plans
- S.D.I. = Storm Drainage Inlet

The Contractor shall possess a Class A, a Class C-34, or a Class C-57 license at the time this contract is awarded.

SU 2816

NO.	DESCRIPTION	DRWN BY	CKD BY	APP BY	DATE

Project Engineer	Date	Senior Engineer	Date	Approval Recommended By	Date
<i>Henry M. Hirata</i>	6/17/94	<i>Henry M. Hirata</i>	6/17/94	<i>Henry M. Hirata</i>	6/17/94
FILE NAME	DRAWER	SHEET NO.			
C:\TWS\TITLE					

PROJECT LOCATION MAP

VICINITY MAP