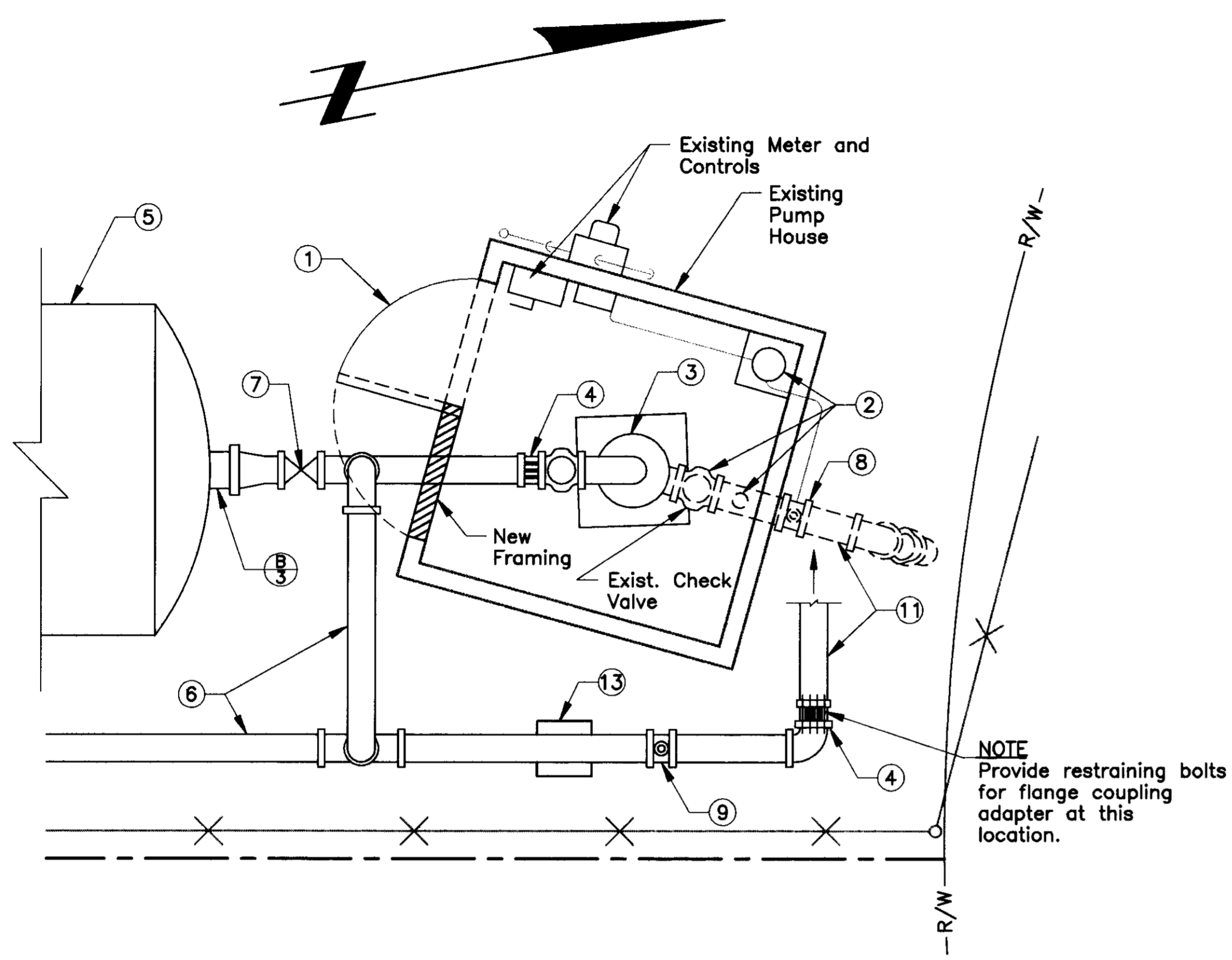


TANK PIPING DIAGRAM  
SCALE: 3/4" = 1'-0"

Install new pressure relief valve, Bailey No. 118, 2". Discharge piping shall be 2" Sch. 80 PVC. Run pipe to 6" above grade.

DRAWN BY Carole Siff	DATE 7/16/99	PROJECT ENGINEER Dean A. Wilson	DATE 7/16/99	CHECKED Dean A. Wilson	DATE 7/16/99	SUBMITTED Manual Davis	DATE 7/22/99	APPROVED <i>[Signature]</i>	DATE 7/22/99	COUNTY OF SAN JOAQUIN	SCALE AS NOTED	CONSTRUCTION DETAILS	SUNNYSIDE ESTATES WELL SITE IMPROVEMENTS	SHEET NO. 3	TOTAL SHEETS 3
FILE NAME 54-2824	DRAWER	SHEET NO.	ACAD C:\SS\DETAILS												

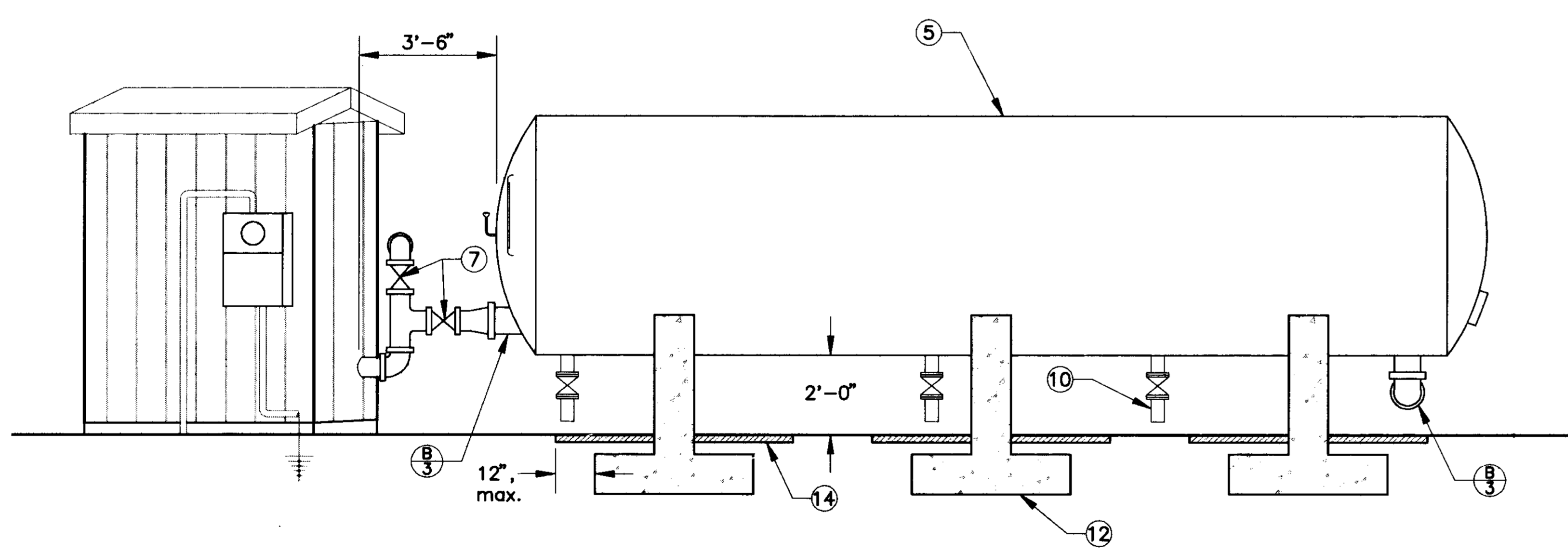
BRIDGE FILE INDEX NO.



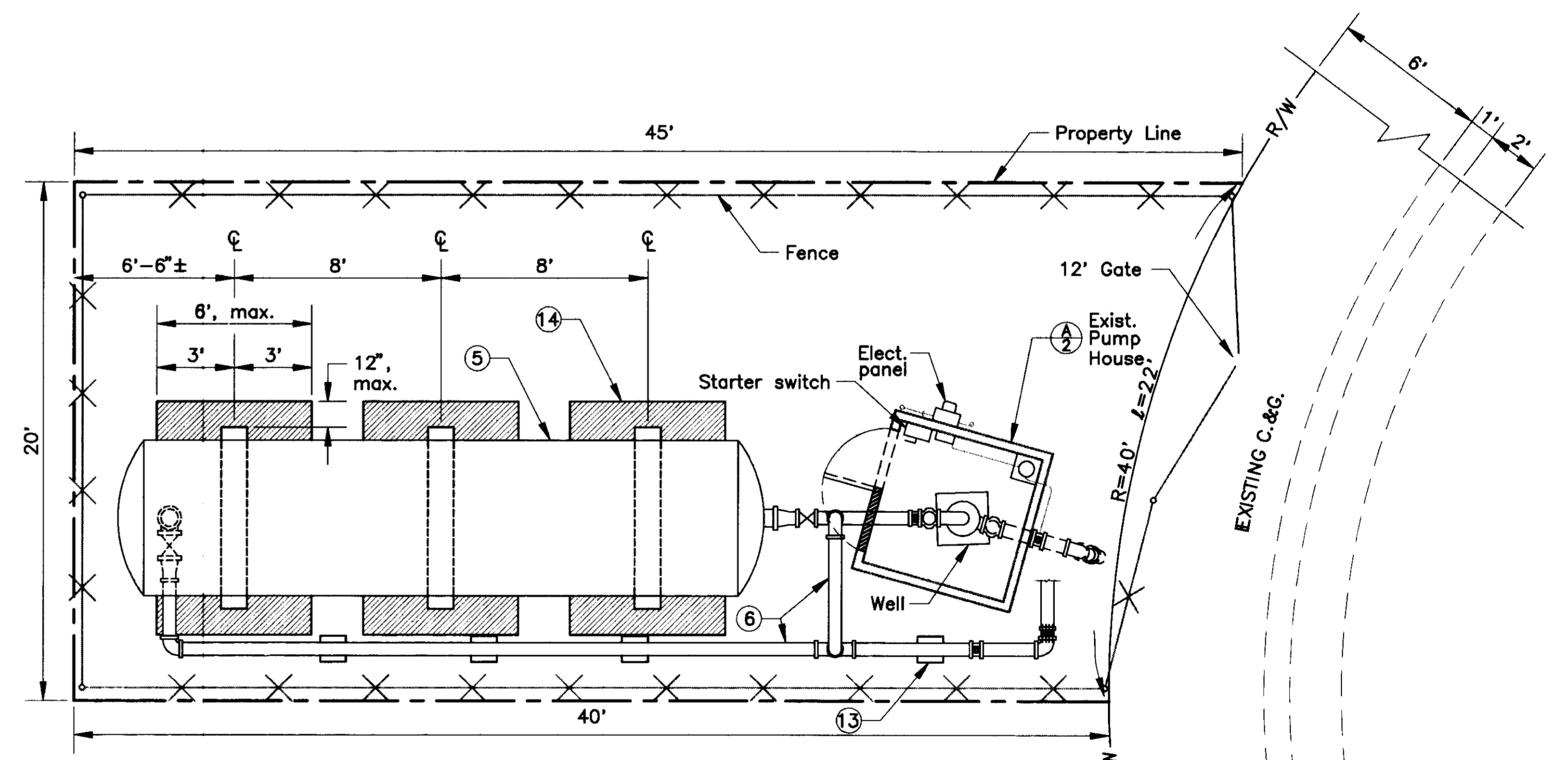
PUMP HOUSE (A)  
SCALE: 1/2"=1' (2)

CONSTRUCTION NOTES

- ① Relocate door (2'-6" x 6'-8").
  - ② Remove & Dispose 30 gallon pressure tank, 15 gallon surge chamber and misc. piping. Check valve shall remain on discharge head.
  - ③ Rotate discharge head to align with new tank location.
  - ④ Flanged coupling adaptor, Rockwell No. 912, or approved equal.
  - ⑤ Install salvaged tank (6'φ x 25'). Align center line of tank with pump discharge pipe.
  - ⑥ Install 6" Sch 80 steel piping.
  - ⑦ 6" Gate valve.
  - ⑧ Salvage existing water meter.
  - ⑨ Install salvaged meter in new pipe. Provide proper upstream and downstream clearances.
  - ⑩ 4" Flanged outlet with existing gate valves.
  - ⑪ Connect to existing riser as required. Leave existing 6" Gate valve in place.
  - ⑫ Construct concrete tank footings. See Detail (C).
  - ⑬ Construct pipe supports as required. See Detail (D).
- A.C. (Misc. Areas): Repave with 0.20' A.C. over 6" native soil compacted to 95% relative compaction. Maximum over-build allowed for measurement purposes shall be 12" beyond edge of footings.



WEST ELEVATION  
SCALE: 3/8"=1'



SITE PLAN  
SCALE: 1/4"=1'

REVISIONS

DRAWN BY	DATE	PROJECT ENGINEER	DATE	CHECKED	DATE	SUBMITTED	DATE	APPROVED	DATE
<i>Carole Siff</i>	7/6/99	<i>Dean Wilson</i>	9/11/99	<i>Dean Wilson</i>	9/11/99	<i>Marcel Sidor</i>	9/23/99	<i>[Signature]</i>	9/24/99

COUNTY OF SAN JOAQUIN

SCALE AS NOTED

SITE PLAN AND DETAILS

SUNNYSIDE ESTATES  
WELL SITE IMPROVEMENTS

SHEET NO.	TOTAL SHEETS
2	3

FILE NAME	DRAWER	SHEET NO.	ACAD
54-2825			C:\SS\SP1

BRIDGE FILE INDEX NO.

COUNTY OF SAN JOAQUIN  
 Department of Public Works  
 Project Plans  
 For  
**SUNNYSIDE ESTATES  
 WELL SITE IMPROVEMENTS**

INDEX OF SHEETS

SHEET 1 TITLE PAGE AND SALVAGE PLAN  
 SHEET 2 SITE PLAN AND DETAILS  
 SHEET 3 CONSTRUCTION DETAILS

Applicable Standard Plans

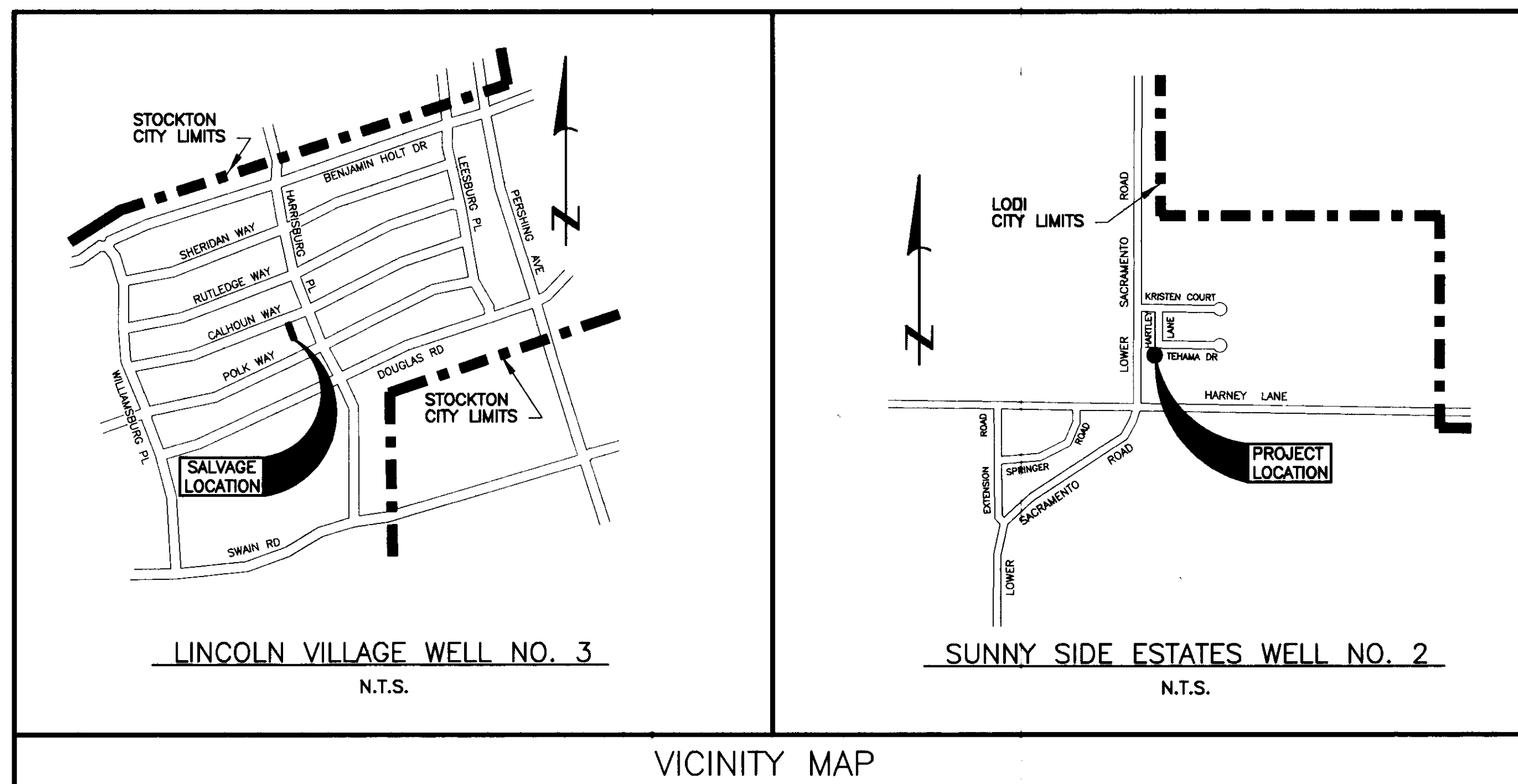
A10A, A10B, D97H

-ABBREVIATIONS-

(In addition to listings in S.P. A10A)

C. & G. = Curb and Gutter  
 C.G. & S. = Curb, Gutter and Sidewalk  
 ∅ = Diameter  
 Rdwy. = Roadway  
 S.J. Co. Std. = San Joaquin County Standard  
 San. = Sanitary  
 S.P. = Standard Plans  
 S.D.I. = Storm Drainage Inlet

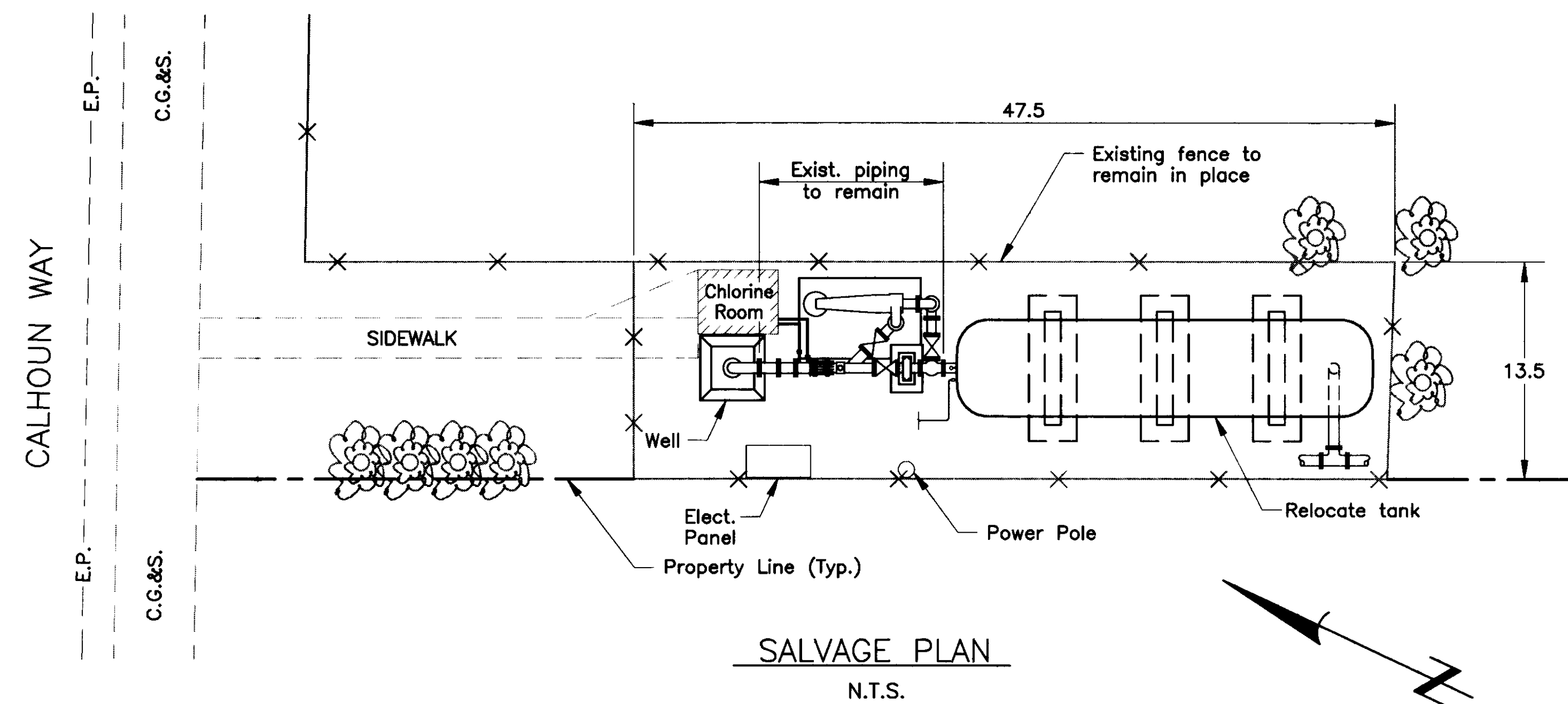
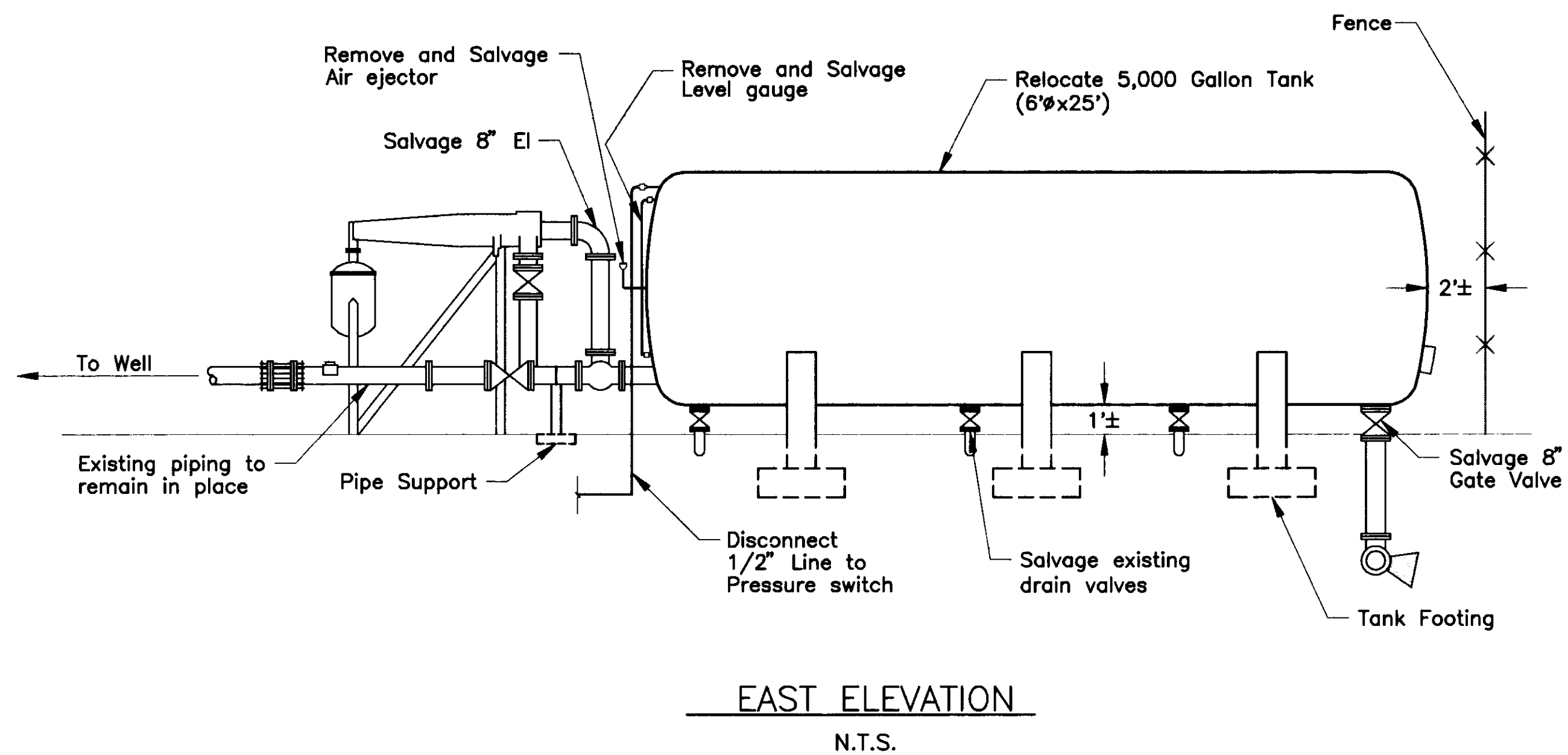
The Contractor shall possess a Class A, C-34 or C-57 license at the time this contract is awarded.



COUNTY OF SAN JOAQUIN

Submitted September 26, 1994

Henry M. Hirata  
 HENRY M. HIRATA R.C.E. 21258  
 Director of Public Works



REVISIONS  
 DATE

DRAWN BY	DATE	PROJECT ENGINEER	DATE	CHECKED	DATE	SUBMITTED	DATE	APPROVED	DATE
<i>Corrie Duff</i>	9/26/94	<i>Dean B. Wilson</i>	9/14/94	<i>Dean B. Wilson</i>	9/14/94	<i>Manuel Salas</i>	9/27/94	<i>[Signature]</i>	9/22/94

COUNTY OF SAN JOAQUIN SCALE AS NOTED

TITLE SHEET AND SALVAGE PLAN

SUNNYSIDE ESTATES WELL SITE IMPROVEMENTS

SHEET NO.	TOTAL SHEETS
1	3

FILE NAME	DRAWER	SHEET NO.	ACAD
54-2826			C:\SS\SALVAGE

BRIDGE FILE INDEX NO.