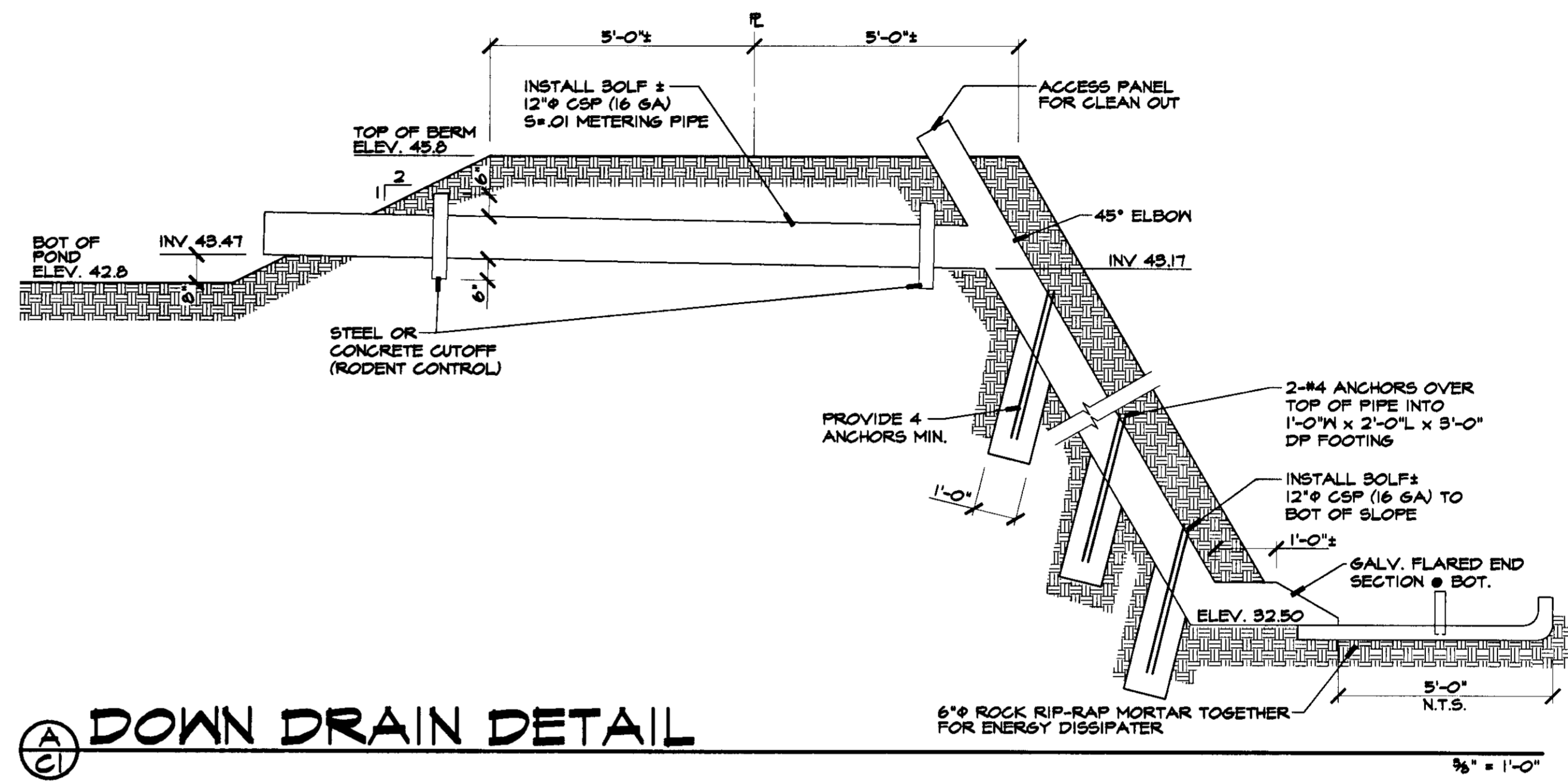
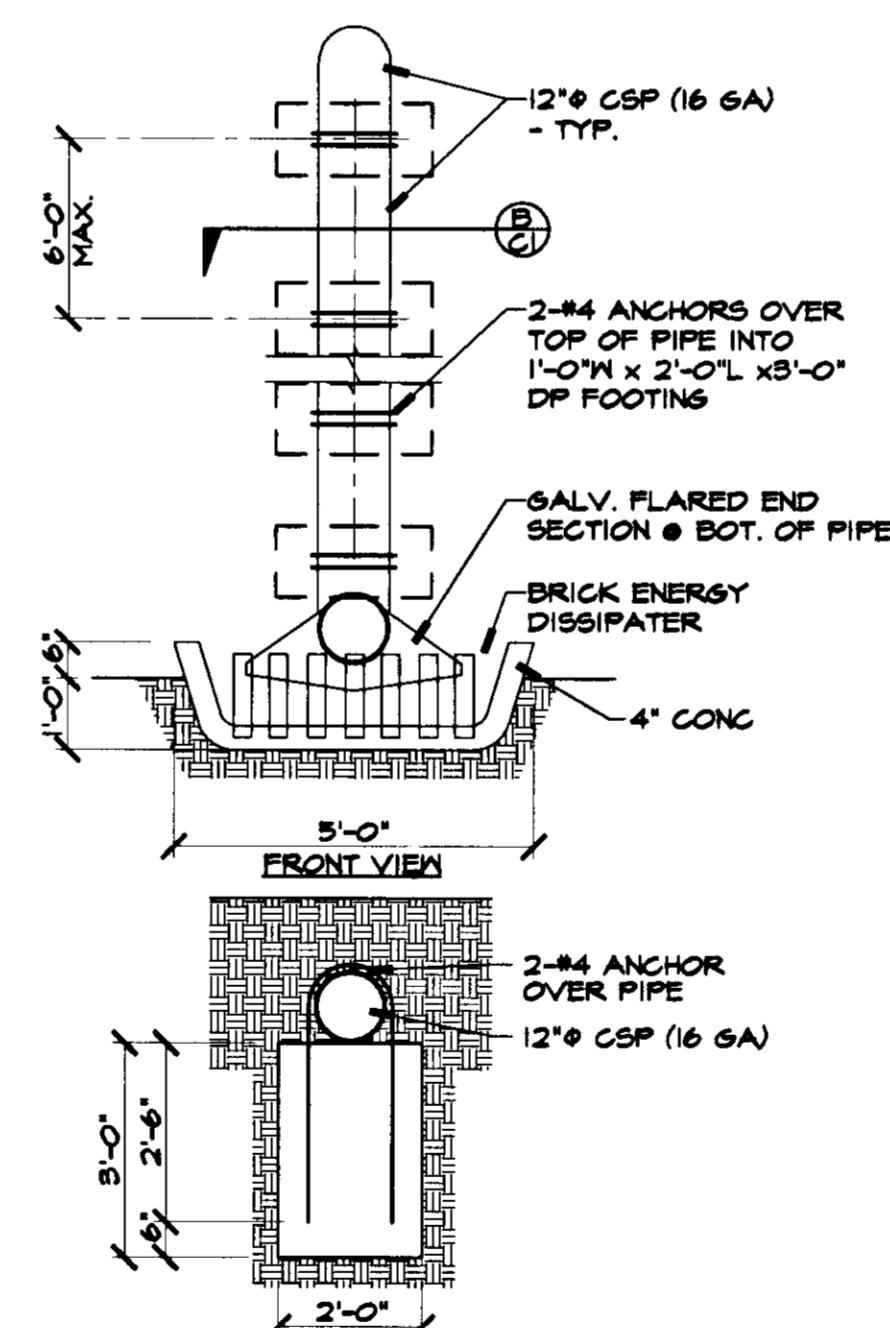


STORM WATER OUTFALL STRUCTURE



(A) DOWN DRAIN DETAIL



(B) FLOW CHANNEL DETAIL

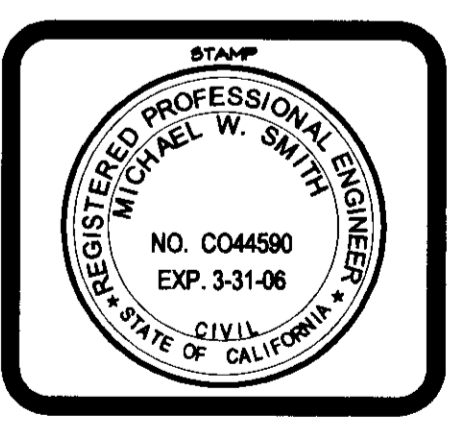
5625A

REVISIONS	BY

MIKE SMITH ENGINEERING, INC.
 4 NORTH MAIN STREET
 LODI, CALIFORNIA 95240
 PHONE (209) 334-2332

TITLE:
STORM WATER OUTFALL STRUCTURE DETAILS

PROJECT:
PROPOSED STORM WATER OUTFALL STRUCTURE SPIESS RANCHO #3
 PROJECT LOCATION: SPIESS ROAD ACAMPO, CA



DRAWN GAC
CHECKED MS
DATE 12-18-02
SCALE AS NOTED
JOB NO. 02208

SHEET
C1
 OF 1 SHEETS